

CONFIDENTIAL

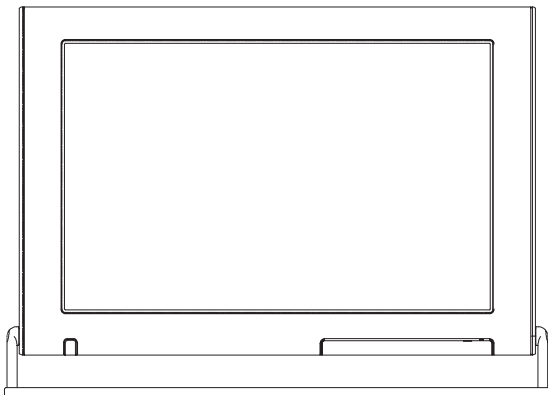
SAMSUNG

TFT-LCD MONITOR

RS21N*/RS24N*

SERVICE *Manual*

TFT-LCD MONITOR



CONTENTS

1. Precautions
2. Product Specifications
3. Disassembly & Reassembly
4. Alignment & Adjustments
5. Troubleshooting
6. Exploded View & Parts List
7. Electrical Parts List
8. Block Diagram
9. Wiring Diagram
10. Schematic Diagrams
11. Panel Description

1 Precautions

Follow these safety, servicing and ESD precautions to prevent damage and to protect against potential hazards such as electrical shock.

1-1 Safety Precautions

1-1-1 Warnings

1. For continued safety, do not attempt to modify the circuit board.
2. Disconnect the AC power and DC Power Jack before servicing.

1-1-2 Servicing the LCD Monitor

1. When servicing the LCD Monitor Disconnect the AC line cord from the AC outlet.
2. It is essential that service technicians have an accurate voltage meter available at all times. Check the calibration of this meter periodically.

1-1-3 Fire and Shock Hazard

Before returning the monitor to the user, perform the following safety checks:

1. Inspect each lead dress to make certain that the leads are not pinched or that hardware is not lodged between the chassis and other metal parts in the monitor.
2. Inspect all protective devices such as nonmetallic control knobs, insulating materials, cabinet backs, adjustment and compartment covers or shields, isolation resistor-capacitor networks, mechanical insulators, etc.
3. Leakage Current Hot Check (Figure 1-1):

WARNING:

Do not use an isolation transformer during this test.

Use a leakage current tester or a metering system that complies with American National Standards Institute (*ANSI C101.1, Leakage Current for Appliances*), and Underwriters Laboratories (*UL Publication UL1410, 59.7*).

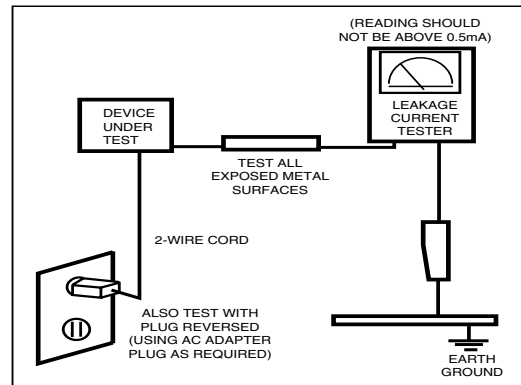



Figure 1-1. Leakage Current Test Circuit

4. With the unit completely reassembled, plug the AC line cord directly into a 120V AC outlet. With the unit's AC switch first in the ON position and then OFF, measure the current between a known earth ground (metal water pipe, conduit, etc.) and all exposed metal parts, including: metal cabinets, screwheads and control shafts. The current measured should not exceed 0.5 milliamp. Reverse the power-plug prongs in the AC outlet and repeat the test.

1-1-4 Product Safety Notices

Some electrical and mechanical parts have special safety-related characteristics which are often not evident from visual inspection. The protection they give may not be obtained by replacing them with components rated for higher voltage, wattage, etc. Parts that have special safety characteristics are identified by  on schematics and parts lists. A substitute replacement that does not have the same safety characteristics as the recommended replacement part might create shock, fire and / or other hazards. Product safety is under review continuously and new instructions are issued whenever appropriate.

2 Product Specifications

2-1 Specifications

Item	Description	
	RS21N*	RS24N*
LCD Panel	TFT-LCD panel, RGB vertical stripe, normally black transmissive, (21.3-Inch) viewable, 0.27 pixel pitch	TFT-LCD panel, RGB vertical stripe, normally black transmissive, (24.06-Inch) viewable, 0.27 pixel pitch
Scanning Frequency	Horizontal : 30 kHz ~ 85 kHz (Analog) Vertical : 55 Hz ~ 85 Hz	
Display Colors	16,777,216 Million colors	
Maximum Resolution	Horizontal : 1600 Pixels Vertical : 1200 Pixels	1920 Pixels 1200 Pixels
Input Video Signal	Analog, 0.7 Vp-p ± 5% positive at 75 Ω, internally terminated	
Input Sync Signal	Type : Separate H/V sync, Composite H/V, Sync-on-Green Level : TTL level	
Maximum Pixel Clock rate	162 MHz	193 MHz
Active Display Horizontal/Vertical	518.4 ± 3 mm / 324 ± 3 mm	
AC power voltage & Frequency	AC 90 ~ 264 Volts, 60~50 Hz ± 3 Hz	
Power Consumption	110W (max)	120W (max)
Dimensions Unit (W x D x H) Carton (W x D x H)	25.98 x 8.38 x 18.58 Inches (568.5 x 213 x 472 mm) 30.55 x 24.01 x 13.62 Inches (687 x 608 x 340 mm)	25.98 x 8.38 x 18.58 Inches (660 x 213 x 472 mm) 30.55 x 24.01 x 13.62 Inches (776 x 610 x 346 mm)
Weight (Net / Gross)	10.0 kg (26.78 lbs) / 20.2 kg (49.6 lbs)	12.15 kg (26.78 lbs) / 22.5 kg (49.6 lbs)
Environmental Considerations	Operating Temperature : 50°F ~ 104°F (10°C ~ 40°C) Humidity : 10 % ~ 80 % Storage Temperature : -4°F ~ 113°F (-20°C ~ 45°C) Humidity : 5 % ~ 95 %	
TV System	Tuning	Frequency Synthesize
	Color	NTSC
	Sound	BTSC, A2 STEREO, EIAJ
Antena Input	75Ω, Coaxial Cable	
Sound Characteristics	<ul style="list-style-type: none"> •Max Internal speaker Out : Right c 5 W / Left c 5 W •Bass control Range : -6 ± 2dB ~ +6 ± 2dB •TREBLE control Range : -10 ± 2dB ~ +10 ± 2dB •Output frequency : RF c 80 Hz~15 KHz / A/V c 80 Hz~20 KHz •Line out : RF c 80 Hz~15 KHz / A/V c 80 Hz~20 KHz 	
<ul style="list-style-type: none"> • SyncMaster RS21N*/RS24N* comply with SWEDAC (MPRII) recommendations for reduced electromagnetic fields. • Designs and specifications are subject to change without prior notice. 		

3 Disassembly and Reassembly

This section of the service manual describes the disassembly and reassembly procedures for the RS21N*/RS24N* monitor.

WARNING: This monitor contains electrostatically sensitive devices. Use caution when handling these components.

3-1 Disassembly

- Cautions:**
1. Disconnect the monitor from the power source before disassembly.
 2. Follow these directions carefully; never use metal instruments to pry apart the cabinet.

3-1-1 Removing the Stand

1. Disconnect power cord and signal cable.
2. Remove 2 screws and bushing on the each side of stand.

3-1-2 Main Body Disassembly

1. Remove the tuner-box.
2. Remove 3 cap-screw and screws on the Rear Cover.
3. Remove Rear Cover from the Front Cover.
4. Remove 1 screw on the PCB and remove the tuner-guide.
5. Remove 9 screws on the shield and remove the shield.
6. Disconnect Inverter wire, Function PCB wire, Audio wire, Interface wire, and IR sensor wire . Remove 6 screws on the main PCB and 4 screws on the Inverter PCB.
7. Remove the main PCB Assembly and Inverter PCB.
8. Remove 4 screws on the Rear Panel Bracket.
9. Remove the Bracket Assembly from the Front Cover.
10. Remove 4 screws on the panel and then remove the panel.
11. Remove 8 screws on the Bracket Hinge.
12. Remove the Braket Hinge.

4 Alignments and Adjustments

This section of the service manual explains how to use the DDC JIG to adjust the black, red, green, and blue levels of the FPD when you replace the AD Board, and how to update the microprocessor when you change the Panel or Lamp(s).

4-1 General Alignment Instruction

1. Usually, a color TV-VCR needs only slight touch-up adjustment upon installation. Check the basic characteristics such as height, horizontal and vertical sync.
2. Use the specified test equipment or its equivalent.
3. Correct impedance matching is essential.
4. Avoid overload. Excessive signal from a sweep generator might overload the front-end of the TV. When inserting signal markers, do not allow the marker generator to distort test result.
5. Connect the TV only to an DC power source with voltage and frequency as specified on the backcover nameplate.
6. Do not attempt to connect or disconnect any wire while the TV is turned on. Make sure that the power cord is disconnected before replacing any parts.
7. To protect against shock hazard, use an isolation transform.

4-2 Adjustment Procedures

Use the following procedures whenever you replace the AD Board, Panel, or one or both of the Lamps.

4-2-1 (a) Color Auto Adjustment

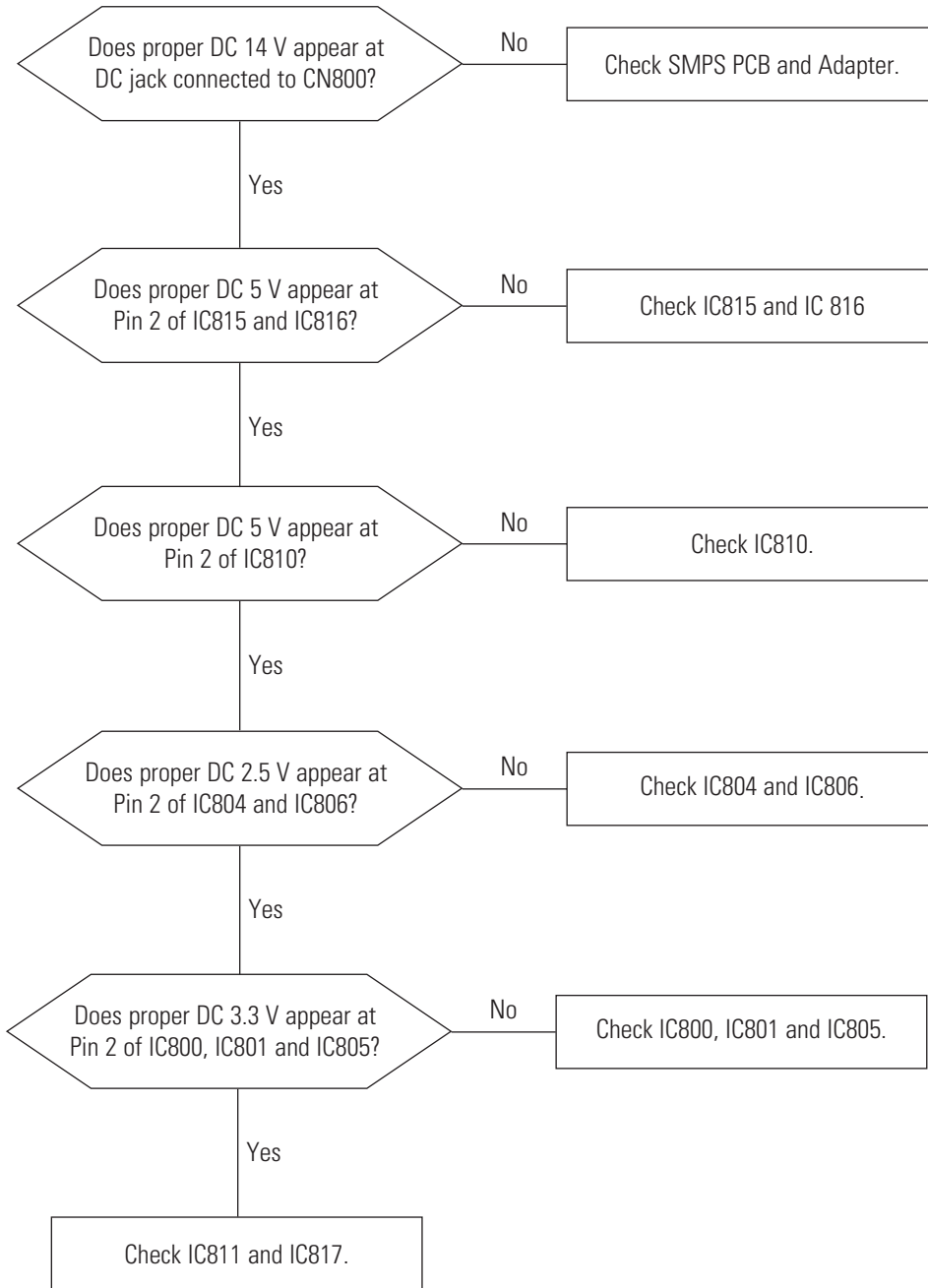
1. After displaying 16-Gray pattern of XGA mode press channel “+”, “-”, and “menu” buttons.
2. During normal execution of Auto Algorithm the screen image may change. If Auto Algorithm does not execute properly, try one more.
3. After normal execution of Auto Algorithm, confirm optimal settings by observing the contrast of several different patterns on the display.

4-2-2 (b) White Balance Adjustment

1. After displaying white pattern (on the WUXAG mode), press channel “+”, “-” and “Exit” buttons.
2. During normal execution of white balance the screen, image may change.

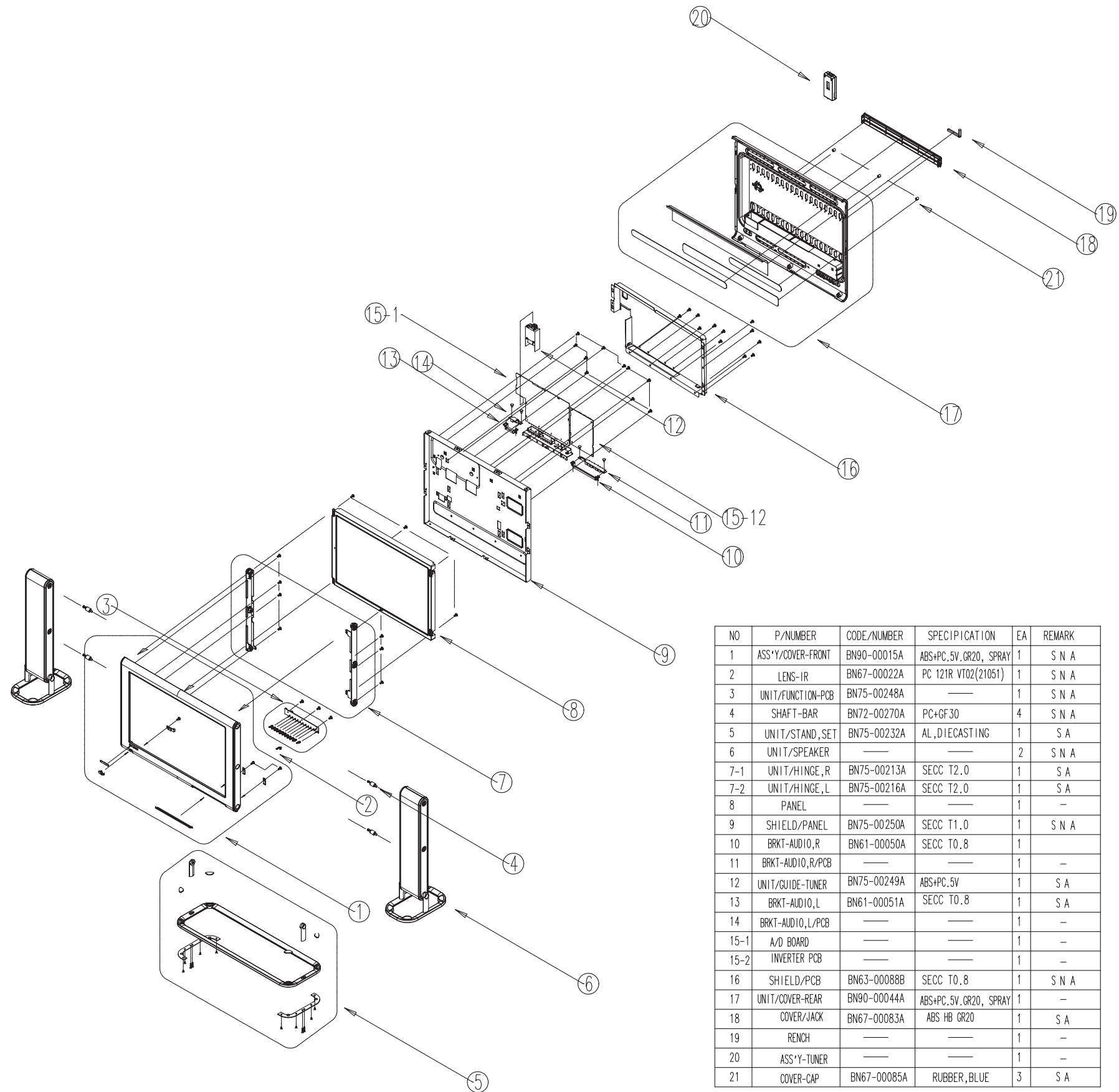
5 Troubleshooting

5-1 No Power



6 Exploded View and Parts List

6-1 RS21N*



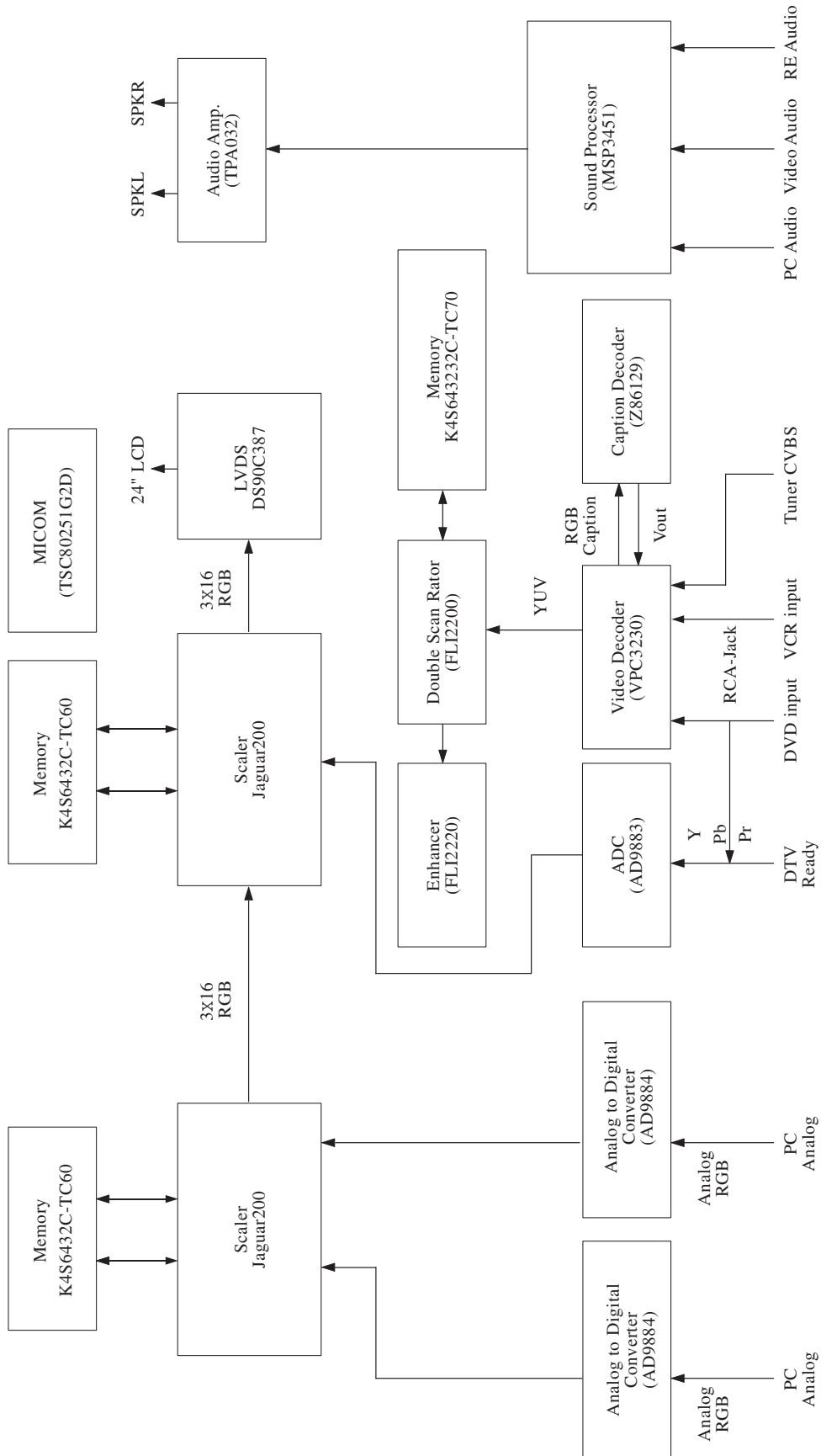
NO	P/NUMBER	CODE/NUMBER	SPECIFICATION	EA	REMARK
1	ASS'Y/COVER-FRONT	BN90-00015A	ABS+PC,5V,GR20, SPRAY	1	S N A
2	LENS-IR	BN67-00022A	PC 121R VT02(21051)	1	S N A
3	UNIT/FUNCTION-PCB	BN75-00248A	—	1	S N A
4	SHAFT-BAR	BN72-00270A	PC+GF30	4	S N A
5	UNIT/STAND, SET	BN75-00232A	AL, DIECASTING	1	S A
6	UNIT/SPEAKER	—	—	2	S N A
7-1	UNIT/HINGE, R	BN75-00213A	SECC T2.0	1	S A
7-2	UNIT/HINGE, L	BN75-00216A	SECC T2.0	1	S A
8	PANEL	—	—	1	—
9	SHIELD/PANEL	BN75-00250A	SECC T1.0	1	S N A
10	BRKT-AUDIO, R	BN61-00050A	SECC T0.8	1	—
11	BRKT-AUDIO, R/PCB	—	—	1	—
12	UNIT/GUIDE-TUNER	BN75-00249A	ABS+PC,5V	1	S A
13	BRKT-AUDIO, L	BN61-00051A	SECC T0.8	1	S A
14	BRKT-AUDIO, L/PCB	—	—	1	—
15-1	A/D BOARD	—	—	1	—
15-2	INVERTER PCB	—	—	1	—
16	SHIELD/PCB	BN63-00088B	SECC T0.8	1	S N A
17	UNIT/COVER-REAR	BN90-00044A	ABS+PC,5V,GR20, SPRAY	1	—
18	COVER/JACK	BN67-00083A	ABS HB GR20	1	S A
19	RENCH	—	—	1	—
20	ASS'Y-TUNER	—	—	1	—
21	COVER-CAP	BN67-00085A	RUBBER, BLUE	3	S A

7 Electrical Parts List

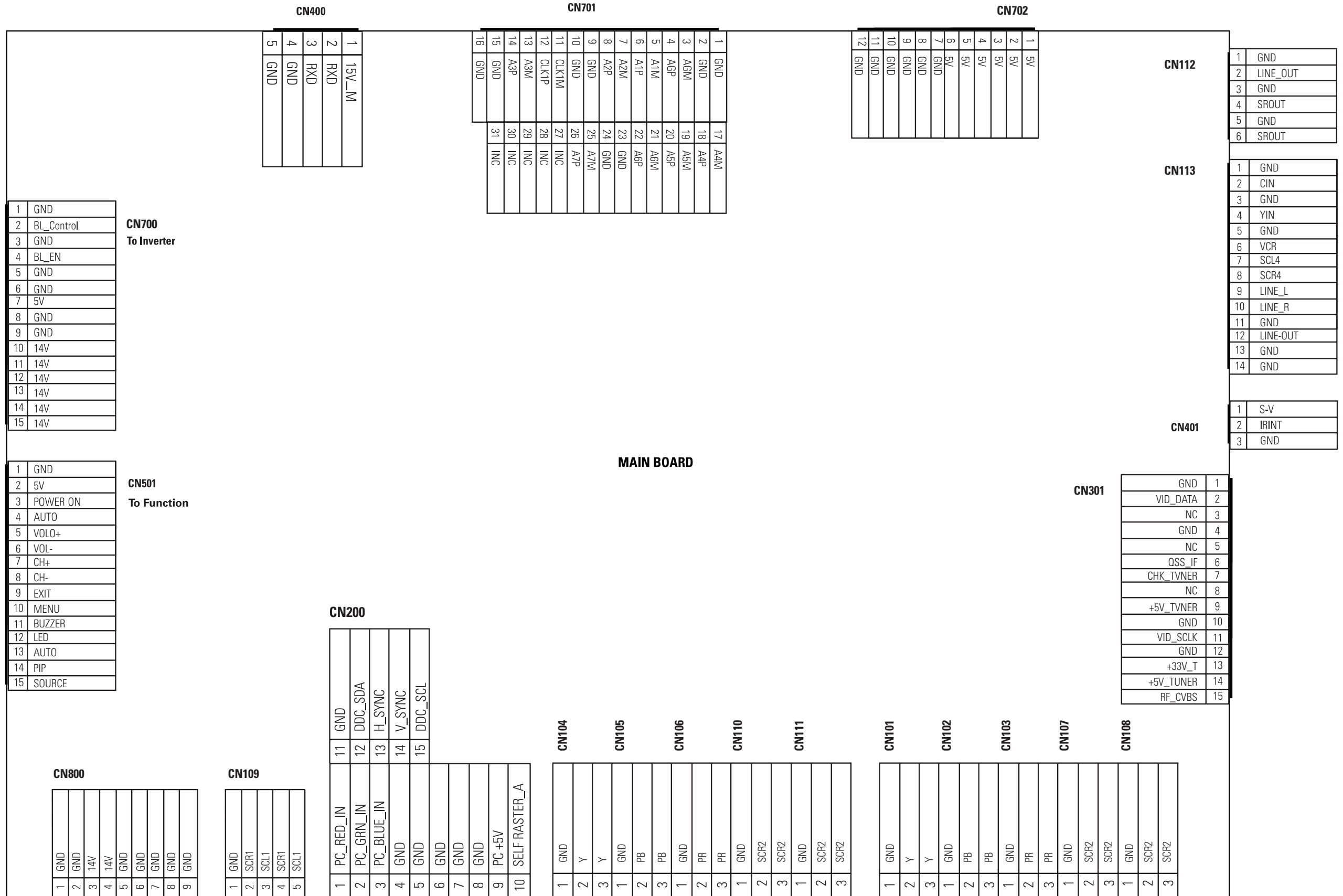
7-1 Main PCB Parts

Loc. No.	Code No.	Description	Specification	Remarks
-	BN94-00268A	ASSY PCB MAIN	RS21NS	SNA
C165	2401-000039	C-AL	1000uF,20%,16V,GP,TP,10x16,5	
C167	2401-000039	C-AL	1000uF,20%,16V,GP,TP,10x16,5	
C172	2401-003717	C-AL	220UF,20,50V,WT,TP,10 X 12.5 MM,5	
C310	2409-001044	C-ORGANIC	100UF,+20%,16V,WT,TP,8X10.5,5	
C348	2409-001044	C-ORGANIC	100UF,+20%,16V,WT,TP,8X10.5,5	
C349	2401-003717	C-AL	220UF,20,50V,WT,TP,10 X 12.5 MM,5	
C403	2409-001044	C-ORGANIC	100UF,+20%,16V,WT,TP,8X10.5,5	
C804	2409-001044	C-ORGANIC	100UF,+20%,16V,WT,TP,8X10.5,5	
C805	2409-001044	C-ORGANIC	100UF,+20%,16V,WT,TP,8X10.5,5	
C918	2409-001044	C-ORGANIC	100UF,+20%,16V,WT,TP,8X10.5,5	
CIS	BN63-00086A	SHIELD-D_SUB	RU24NS,SPTe,T0.5,-,-,-,-	
CN101	3722-001751	JACK-PIN	1P,-,NI,GRN,-	
CN102	3722-001750	JACK-PIN	1P,-,NI,BLU,-	
CN103	3722-001784	JACK-PIN	1P,-,SN,RED,-	
CN104	3722-001751	JACK-PIN	1P,-,NI,GRN,-	
CN105	3722-001750	JACK-PIN	1P,-,NI,BLU,-	
CN106	3722-001784	JACK-PIN	1P,-,SN,RED,-	
CN107	3722-001782	JACK-PIN	1P,-,SN,WHT,-	
CN108	3722-001784	JACK-PIN	1P,-,SN,RED,-	
CN109	3722-001055	JACK-PHONE	5P/2C,3.6PI,AG,BLK,#16-22	SNA
CN110	3722-001782	JACK-PIN	1P,-,SN,WHT,-	
CN111	3722-001784	JACK-PIN	1P,-,SN,RED,-	
CN112	3711-004228	CONNECTOR-HEADER	BOX,6P,1R,2MM,ANGLE,SN	SNA
CN113	3711-004261	CONNECTOR-HEADER	BOX,12P,1R,2MM,ANGLE,SN	SNA
CN200	3701-001219	CONNECTOR-DSUB	15P,3R,FEMALE,ANGLE,AUF	
CN301	3701-001219	CONNECTOR-DSUB	15P,3R,FEMALE,ANGLE,AUF	
CN401	3711-000024	CONNECTOR-HEADER	BOX,3P,1R,2.5mm,STRAIGHT,SN	SNA
CN800	3722-001267	JACK-DC POWER	4P,-,SN,BLK,-	SNA
IC106	1201-001834	IC-AUDIO AMP	TDA7360HS,MULTIWATT11H,11P,771MIL,SINGLE,20DB/26DB,PLASTIC,18V,36W,-40TO+150C,-	
IC404_SOCKET	3704-000255	SOCKET-IC	32P,DIP,SN,2.54mm	
-	BN97-00054U	ASSY MICOM	ES15AS,-,-,-,-,-,-,-,-	SNA
IC404	1102-001121	IC-EPROM	27C2001,256Kx8Bit,DIP,32P,600MIL,100nS,5V,10%,CERAMIC,0to+70C,100uA,CMOS,ST	
CIS	BN46-00009Q	MICOM-S/W	RS21NS,-,-,-,-,-,-,-,-	SNA
-	BN97-00068A	ASSY SMD-MAIN	RS21NS	SNA
BD102	2703-001334	INDUCTOR-SMD	1.5uH,10%,2x1.25x0.85mm	
BD103	3301-001163	CORE-FERRITE BEAD	AB,80ohm,2x1.25x1mm,300mA,TP,FERRITE,0.08ohm	
BD104	3301-001163	CORE-FERRITE BEAD	AB,80ohm,2x1.25x1mm,300mA,TP,FERRITE,0.08ohm	
BD105	3301-001163	CORE-FERRITE BEAD	AB,80ohm,2x1.25x1mm,300mA,TP,FERRITE,0.08ohm	
BD106	3301-001163	CORE-FERRITE BEAD	AB,80ohm,2x1.25x1mm,300mA,TP,FERRITE,0.08ohm	
BD107	3301-001163	CORE-FERRITE BEAD	AB,80ohm,2x1.25x1mm,300mA,TP,FERRITE,0.08ohm	
BD108	3301-001163	CORE-FERRITE BEAD	AB,80ohm,2x1.25x1mm,300mA,TP,FERRITE,0.08ohm	
BD109	3301-001163	CORE-FERRITE BEAD	AB,80ohm,2x1.25x1mm,300mA,TP,FERRITE,0.08ohm	
BD110	3301-001163	CORE-FERRITE BEAD	AB,80ohm,2x1.25x1mm,300mA,TP,FERRITE,0.08ohm	
BD120	3301-001176	CORE-FERRITE BEAD	AB,2x1.25x0.9mm,-,-	
BD121	3301-001176	CORE-FERRITE BEAD	AB,2x1.25x0.9mm,-,-	
BD122	3301-001176	CORE-FERRITE BEAD	AB,2x1.25x0.9mm,-,-	
BD123	3301-001176	CORE-FERRITE BEAD	AB,2x1.25x0.9mm,-,-	
BD124	3301-001176	CORE-FERRITE BEAD	AB,2x1.25x0.9mm,-,-	
BD125	3301-001176	CORE-FERRITE BEAD	AB,2x1.25x0.9mm,-,-	
BD201	3301-001176	CORE-FERRITE BEAD	AB,2x1.25x0.9mm,-,-	
BD202	3301-001176	CORE-FERRITE BEAD	AB,2x1.25x0.9mm,-,-	
BD203	3301-001176	CORE-FERRITE BEAD	AB,2x1.25x0.9mm,-,-	

8 Block Diagram



9 Wiring Diagram



Copyright

© 2002 by Samsung Electronics Co., Ltd.

All rights reserved.

This manual may not, in whole or in part, be copied, photocopied, reproduced, translated, or converted to any electronic or machine readable form without prior written permission of Samsung Electronics Co., Ltd.

RS21N*/RS24N* Service Manual

First edition January 2002.

Printed in Korea.

Trademarks

Samsung is the registered trademark of Samsung Electronics Co., Ltd.

RS21N*/RS24N* and MacMaster Cable Adapter are trademarks of Samsung Electronics Co., Ltd.

Macintosh, Centris, Quadra, Duo Douk, and Power Macintosh are trademarks of Apple Computer, Inc.

All other trademarks are the property of their respective owners.

Memo

Memo

Loc. No.	Code No.	Description	Specification	Remarks
BD204	2703-001334	INDUCTOR-SMD	1.5uH,10%,2x1.25x0.85mm	
BD205	2703-001334	INDUCTOR-SMD	1.5uH,10%,2x1.25x0.85mm	
BD206	2703-001334	INDUCTOR-SMD	1.5uH,10%,2x1.25x0.85mm	
BD207	2703-001334	INDUCTOR-SMD	1.5uH,10%,2x1.25x0.85mm	
BD400	2703-001334	INDUCTOR-SMD	1.5uH,10%,2x1.25x0.85mm	
C101	2409-001035	C-ORGANIC	10uF,20%,10V,LZ,TP,5.4x4.3x4.3mm,1	
C102	2409-001035	C-ORGANIC	10uF,20%,10V,LZ,TP,5.4x4.3x4.3mm,1	
C103	2402-000176	C-AL,SMD	10uF,20%,16V,GP,TP,4.3x4.3x5.4	
C104	2203-005005	C-CERAMIC,CHIP	100nF,10%,16V,X7R,TP,1608	
C105	2203-005005	C-CERAMIC,CHIP	100nF,10%,16V,X7R,TP,1608	
C106	2203-005005	C-CERAMIC,CHIP	100nF,10%,16V,X7R,TP,1608	
C107	2203-005005	C-CERAMIC,CHIP	100nF,10%,16V,X7R,TP,1608	
C108	2203-005005	C-CERAMIC,CHIP	100nF,10%,16V,X7R,TP,1608	
C109	2203-005005	C-CERAMIC,CHIP	100nF,10%,16V,X7R,TP,1608	
C110	2203-005005	C-CERAMIC,CHIP	100nF,10%,16V,X7R,TP,1608	
C111	2203-005005	C-CERAMIC,CHIP	100nF,10%,16V,X7R,TP,1608	
C112	2203-005005	C-CERAMIC,CHIP	100nF,10%,16V,X7R,TP,1608	
C113	2203-005005	C-CERAMIC,CHIP	100nF,10%,16V,X7R,TP,1608	
C114	2203-005005	C-CERAMIC,CHIP	100nF,10%,16V,X7R,TP,1608	
C115	2203-005005	C-CERAMIC,CHIP	100nF,10%,16V,X7R,TP,1608	
C116	2203-005005	C-CERAMIC,CHIP	100nF,10%,16V,X7R,TP,1608	
C117	2203-005005	C-CERAMIC,CHIP	100nF,10%,16V,X7R,TP,1608	
C118	2203-005005	C-CERAMIC,CHIP	100nF,10%,16V,X7R,TP,1608	
C119	2203-005005	C-CERAMIC,CHIP	100nF,10%,16V,X7R,TP,1608	
C120	2203-005005	C-CERAMIC,CHIP	100nF,10%,16V,X7R,TP,1608	
C121	2203-005005	C-CERAMIC,CHIP	100nF,10%,16V,X7R,TP,1608	
C122	2203-005005	C-CERAMIC,CHIP	100nF,10%,16V,X7R,TP,1608	
C123	2203-000189	C-CERAMIC,CHIP	100nF,+80-20%,25V,Y5V,TP,1608,	
C124	2203-000189	C-CERAMIC,CHIP	100nF,+80-20%,25V,Y5V,TP,1608,	
C125	2402-000108	C-AL,SMD	10uF,20%,16V,WT,TP,4.3x4.3x5.4	
C126	2203-000440	C-CERAMIC,CHIP	1nF,10%,50V,X7R,TP,1608,-	
C127	2203-000440	C-CERAMIC,CHIP	1nF,10%,50V,X7R,TP,1608,-	
C128	2203-005005	C-CERAMIC,CHIP	100nF,10%,16V,X7R,TP,1608	
C129	2203-000257	C-CERAMIC,CHIP	10nF,10%,50V,X7R,TP,1608	
C130	2203-000257	C-CERAMIC,CHIP	10nF,10%,50V,X7R,TP,1608	
C131	2203-001656	C-CERAMIC,CHIP	0.47nF,5%,50V,NP0,TP,1608	
C132	2203-000257	C-CERAMIC,CHIP	10nF,10%,50V,X7R,TP,1608	
C133	2409-001029	C-ORGANIC	120uF,20%,6.3V,WT,TP,10.3x10.3x10.3mm,9	
C134	2402-001155	C-AL,SMD	47UF,20%,16V,WT,TP,6.3X5.2MM	
C135	2402-001155	C-AL,SMD	47UF,20%,16V,WT,TP,6.3X5.2MM	
C136	2402-001155	C-AL,SMD	47UF,20%,16V,WT,TP,6.3X5.2MM	
C137	2203-000257	C-CERAMIC,CHIP	10nF,10%,50V,X7R,TP,1608	
C138	2203-000440	C-CERAMIC,CHIP	1nF,10%,50V,X7R,TP,1608,-	
C139	2203-000440	C-CERAMIC,CHIP	1nF,10%,50V,X7R,TP,1608,-	
C140	2203-000440	C-CERAMIC,CHIP	1nF,10%,50V,X7R,TP,1608,-	
C141	2402-001155	C-AL,SMD	47UF,20%,16V,WT,TP,6.3X5.2MM	
C142	2402-001155	C-AL,SMD	47UF,20%,16V,WT,TP,6.3X5.2MM	
C143	2402-001155	C-AL,SMD	47UF,20%,16V,WT,TP,6.3X5.2MM	
C144	2203-000257	C-CERAMIC,CHIP	10nF,10%,50V,X7R,TP,1608	
C145	2203-000257	C-CERAMIC,CHIP	10nF,10%,50V,X7R,TP,1608	
C146	2203-000257	C-CERAMIC,CHIP	10nF,10%,50V,X7R,TP,1608	
C147	2203-000903	C-CERAMIC,CHIP	0.0047nF,0.25pF,50V,NP0,TP,1608	
C148	2203-000903	C-CERAMIC,CHIP	0.0047nF,0.25pF,50V,NP0,TP,1608	
C149	2203-000903	C-CERAMIC,CHIP	0.0047nF,0.25pF,50V,NP0,TP,1608	
C150	2203-005005	C-CERAMIC,CHIP	100nF,10%,16V,X7R,TP,1608	

Loc. No.	Code No.	Description	Specification	Remarks
C151	2203-000843	C-CERAMIC,CHIP	39nF,10%,25V,X7R,TP,1608,-	
C152	2203-000726	C-CERAMIC,CHIP	3.9nF,10%,50V,X7R,TP,1608,-	
C153	2203-000189	C-CERAMIC,CHIP	100nF,+80-20%,25V,Y5V,TP,1608,	
C154	2203-001630	C-CERAMIC,CHIP	330nF,+80-20%,16V,Y5V,TP,1608	
C155	2203-001630	C-CERAMIC,CHIP	330nF,+80-20%,16V,Y5V,TP,1608	
C156	2203-000784	C-CERAMIC,CHIP	0.33nF,5%,50V,NP0,TP,2012	
C157	2203-000784	C-CERAMIC,CHIP	0.33nF,5%,50V,NP0,TP,2012	
C158	2203-001630	C-CERAMIC,CHIP	330nF,+80-20%,16V,Y5V,TP,1608	
C159	2203-001630	C-CERAMIC,CHIP	330nF,+80-20%,16V,Y5V,TP,1608	
C160	2203-000784	C-CERAMIC,CHIP	0.33nF,5%,50V,NP0,TP,2012	
C161	2203-000784	C-CERAMIC,CHIP	0.33nF,5%,50V,NP0,TP,2012	
C162	2203-001630	C-CERAMIC,CHIP	330nF,+80-20%,16V,Y5V,TP,1608	
C163	2203-000784	C-CERAMIC,CHIP	0.33nF,5%,50V,NP0,TP,2012	
C164	2203-001630	C-CERAMIC,CHIP	330nF,+80-20%,16V,Y5V,TP,1608	
C166	2203-000784	C-CERAMIC,CHIP	0.33nF,5%,50V,NP0,TP,2012	
C168	2203-001402	C-CERAMIC,CHIP	220nF,+80-20%,16V,Y5V,TP,1608	
C169	2203-001402	C-CERAMIC,CHIP	220nF,+80-20%,16V,Y5V,TP,1608	
C170	2203-005005	C-CERAMIC,CHIP	100nF,10%,16V,X7R,TP,1608	
C171	2402-001155	C-AL,SMD	47UF,20%,16V,WT,TP,6.3X5.2MM	
C173	2203-000189	C-CERAMIC,CHIP	100nF,+80-20%,25V,Y5V,TP,1608,	
C174	2203-005005	C-CERAMIC,CHIP	100nF,10%,16V,X7R,TP,1608	
C175	2402-000176	C-AL,SMD	10uF,20%,16V,GP,TP,4.3x4.3x5.4	
C176	2203-001077	C-CERAMIC,CHIP	0.056nF,5%,50V,NP0,TP,2012	
C177	2203-005005	C-CERAMIC,CHIP	100nF,10%,16V,X7R,TP,1608	
C178	2402-000144	C-AL,SMD	3.3uF,20%,50V,GP,TP,4.3x4.3x5.	
C179	2402-000176	C-AL,SMD	10uF,20%,16V,GP,TP,4.3x4.3x5.4	
C180	2203-005005	C-CERAMIC,CHIP	100nF,10%,16V,X7R,TP,1608	
C181	2203-001656	C-CERAMIC,CHIP	0.47nF,5%,50V,NP0,TP,1608	
C182	2203-000140	C-CERAMIC,CHIP	1.5nF,10%,50V,X7R,TP,1608,-	
C183	2402-000176	C-AL,SMD	10uF,20%,16V,GP,TP,4.3x4.3x5.4	
C184	2203-001656	C-CERAMIC,CHIP	0.47nF,5%,50V,NP0,TP,1608	
C185	2203-000140	C-CERAMIC,CHIP	1.5nF,10%,50V,X7R,TP,1608,-	
C186	2402-000176	C-AL,SMD	10uF,20%,16V,GP,TP,4.3x4.3x5.4	
C187	2402-000176	C-AL,SMD	10uF,20%,16V,GP,TP,4.3x4.3x5.4	
C188	2203-001077	C-CERAMIC,CHIP	0.056nF,5%,50V,NP0,TP,2012	
C189	2402-000176	C-AL,SMD	10uF,20%,16V,GP,TP,4.3x4.3x5.4	
C190	2203-001077	C-CERAMIC,CHIP	0.056nF,5%,50V,NP0,TP,2012	
C191	2203-000468	C-CERAMIC,CHIP	0.001nF,0.25pF,50V,NP0,TP,1608	
C192	2203-000468	C-CERAMIC,CHIP	0.001nF,0.25pF,50V,NP0,TP,1608	
C193	2203-001630	C-CERAMIC,CHIP	330nF,+80-20%,16V,Y5V,TP,1608	
C194	2203-001630	C-CERAMIC,CHIP	330nF,+80-20%,16V,Y5V,TP,1608	
C195	2203-000440	C-CERAMIC,CHIP	1nF,10%,50V,X7R,TP,1608,-	
C196	2203-000440	C-CERAMIC,CHIP	1nF,10%,50V,X7R,TP,1608,-	
C197	2203-000440	C-CERAMIC,CHIP	1nF,10%,50V,X7R,TP,1608,-	
C198	2203-000440	C-CERAMIC,CHIP	1nF,10%,50V,X7R,TP,1608,-	
C199	2203-000784	C-CERAMIC,CHIP	0.33nF,5%,50V,NP0,TP,2012	
C200	2203-000189	C-CERAMIC,CHIP	100nF,+80-20%,25V,Y5V,TP,1608,	
C201	2203-000189	C-CERAMIC,CHIP	100nF,+80-20%,25V,Y5V,TP,1608,	
C202	2409-001035	C-ORGANIC	10uF,20%,10V,LZ,TP,5.4x4.3x4.3mm,1	
C203	2203-000440	C-CERAMIC,CHIP	1nF,10%,50V,X7R,TP,1608,-	
C204	2409-001035	C-ORGANIC	10uF,20%,10V,LZ,TP,5.4x4.3x4.3mm,1	
C205	2203-000189	C-CERAMIC,CHIP	100nF,+80-20%,25V,Y5V,TP,1608,	
C206	2203-000189	C-CERAMIC,CHIP	100nF,+80-20%,25V,Y5V,TP,1608,	
C207	2203-000189	C-CERAMIC,CHIP	100nF,+80-20%,25V,Y5V,TP,1608,	
C208	2203-000189	C-CERAMIC,CHIP	100nF,+80-20%,25V,Y5V,TP,1608,	

Loc. No.	Code No.	Description	Specification	Remarks
C209	2402-000108	C-AL,SMD	10uF,20%,16V,WT,TP,4.3x4.3x5.4	
C210	2402-000108	C-AL,SMD	10uF,20%,16V,WT,TP,4.3x4.3x5.4	
C211	2203-000189	C-CERAMIC,CHIP	100nF,+80-20%,25V,Y5V,TP,1608,	
C212	2203-000189	C-CERAMIC,CHIP	100nF,+80-20%,25V,Y5V,TP,1608,	
C213	2203-000189	C-CERAMIC,CHIP	100nF,+80-20%,25V,Y5V,TP,1608,	
C214	2203-000189	C-CERAMIC,CHIP	100nF,+80-20%,25V,Y5V,TP,1608,	
C215	2203-000189	C-CERAMIC,CHIP	100nF,+80-20%,25V,Y5V,TP,1608,	
C216	2203-000189	C-CERAMIC,CHIP	100nF,+80-20%,25V,Y5V,TP,1608,	
C217	2203-000189	C-CERAMIC,CHIP	100nF,+80-20%,25V,Y5V,TP,1608,	
C218	2203-000189	C-CERAMIC,CHIP	100nF,+80-20%,25V,Y5V,TP,1608,	
C219	2203-000189	C-CERAMIC,CHIP	100nF,+80-20%,25V,Y5V,TP,1608,	
C220	2203-000189	C-CERAMIC,CHIP	100nF,+80-20%,25V,Y5V,TP,1608,	
C221	2203-000189	C-CERAMIC,CHIP	100nF,+80-20%,25V,Y5V,TP,1608,	
C222	2203-000189	C-CERAMIC,CHIP	100nF,+80-20%,25V,Y5V,TP,1608,	
C223	2203-000189	C-CERAMIC,CHIP	100nF,+80-20%,25V,Y5V,TP,1608,	
C224	2203-000189	C-CERAMIC,CHIP	100nF,+80-20%,25V,Y5V,TP,1608,	
C225	2203-000189	C-CERAMIC,CHIP	100nF,+80-20%,25V,Y5V,TP,1608,	
C226	2203-000189	C-CERAMIC,CHIP	100nF,+80-20%,25V,Y5V,TP,1608,	
C227	2203-000189	C-CERAMIC,CHIP	100nF,+80-20%,25V,Y5V,TP,1608,	
C228	2203-000189	C-CERAMIC,CHIP	100nF,+80-20%,25V,Y5V,TP,1608,	
C229	2203-000189	C-CERAMIC,CHIP	100nF,+80-20%,25V,Y5V,TP,1608,	
C230	2203-000189	C-CERAMIC,CHIP	100nF,+80-20%,25V,Y5V,TP,1608,	
C231	2203-000189	C-CERAMIC,CHIP	100nF,+80-20%,25V,Y5V,TP,1608,	
C232	2203-000257	C-CERAMIC,CHIP	10nF,10%,50V,X7R,TP,1608	
C233	2203-000440	C-CERAMIC,CHIP	1nF,10%,50V,X7R,TP,1608,-	
C234	2203-000440	C-CERAMIC,CHIP	1nF,10%,50V,X7R,TP,1608,-	
C235	2203-000843	C-CERAMIC,CHIP	39nF,10%,25V,X7R,TP,1608,-	
C236	2203-000726	C-CERAMIC,CHIP	3.9nF,10%,50V,X7R,TP,1608,-	
C237	2203-000972	C-CERAMIC,CHIP	47nF,10%,16V,X7R,TP,1608	
C238	2203-000972	C-CERAMIC,CHIP	47nF,10%,16V,X7R,TP,1608	
C239	2203-000972	C-CERAMIC,CHIP	47nF,10%,16V,X7R,TP,1608	
C240	2203-000903	C-CERAMIC,CHIP	0.0047nF,0.25pF,50V,NP0,TP,1608	
C241	2203-000903	C-CERAMIC,CHIP	0.0047nF,0.25pF,50V,NP0,TP,1608	
C242	2203-000903	C-CERAMIC,CHIP	0.0047nF,0.25pF,50V,NP0,TP,1608	
C243	2203-000189	C-CERAMIC,CHIP	100nF,+80-20%,25V,Y5V,TP,1608,	
C244	2203-000384	C-CERAMIC,CHIP	0.015nF,5%,50V,NP0,TP,1608	
C245	2402-001006	C-AL,SMD	4.7uF,20%,25V,GP,TP,3.6x6.3x3.	
C246	2203-005065	C-CERAMIC,CHIP	1000nF,+80-20%,10V,Y5V,TP,1608	
C247	2203-001652	C-CERAMIC,CHIP	470nF,+80-20%,16V,Y5V,TP,1608	
C248	2203-000843	C-CERAMIC,CHIP	39nF,10%,25V,X7R,TP,1608,-	
C249	2203-000189	C-CERAMIC,CHIP	100nF,+80-20%,25V,Y5V,TP,1608,	
C250	2203-000726	C-CERAMIC,CHIP	3.9nF,10%,50V,X7R,TP,1608,-	
C251	2203-000280	C-CERAMIC,CHIP	0.01nF,0.5pF,50V,NP0,TP,1608	
C252	2203-000280	C-CERAMIC,CHIP	0.01nF,0.5pF,50V,NP0,TP,1608	
C253	2203-005065	C-CERAMIC,CHIP	1000nF,+80-20%,10V,Y5V,TP,1608	
C254	2203-000236	C-CERAMIC,CHIP	0.1nF,5%,50V,NP0,TP,1608	
C255	2203-005065	C-CERAMIC,CHIP	1000nF,+80-20%,10V,Y5V,TP,1608	
C256	2402-001019	C-AL,SMD	2.2uF,20%,35V,GP,TP,3.3x3.3x5.	
C257	2203-000189	C-CERAMIC,CHIP	100nF,+80-20%,25V,Y5V,TP,1608,	
C258	2203-000972	C-CERAMIC,CHIP	47nF,10%,16V,X7R,TP,1608	
C259	2203-000280	C-CERAMIC,CHIP	0.01nF,0.5pF,50V,NP0,TP,1608	
C260	2203-000972	C-CERAMIC,CHIP	47nF,10%,16V,X7R,TP,1608	
C261	2203-000189	C-CERAMIC,CHIP	100nF,+80-20%,25V,Y5V,TP,1608,	
C262	2203-000972	C-CERAMIC,CHIP	47nF,10%,16V,X7R,TP,1608	
C263	2203-000189	C-CERAMIC,CHIP	100nF,+80-20%,25V,Y5V,TP,1608,	

Loc. No.	Code No.	Description	Specification	Remarks
C264	2203-000257	C-CERAMIC,CHIP	10nF,10%,50V,X7R,TP,1608	
C265	2203-000903	C-CERAMIC,CHIP	0.0047nF,0.25pF,50V,NP0,TP,1608	
C266	2203-000903	C-CERAMIC,CHIP	0.0047nF,0.25pF,50V,NP0,TP,1608	
C267	2203-000903	C-CERAMIC,CHIP	0.0047nF,0.25pF,50V,NP0,TP,1608	
C268	2203-000189	C-CERAMIC,CHIP	100nF,+80-20%,25V,Y5V,TP,1608,	
C269	2203-000384	C-CERAMIC,CHIP	0.015nF,5%,50V,NP0,TP,1608	
C270	2203-000189	C-CERAMIC,CHIP	100nF,+80-20%,25V,Y5V,TP,1608,	
C271	2203-000189	C-CERAMIC,CHIP	100nF,+80-20%,25V,Y5V,TP,1608,	
C272	2409-001035	C-ORGANIC	10uF,20%,10V,LZ,TP,5.4x4.3x4.3mm,1	
C273	2203-000440	C-CERAMIC,CHIP	1nF,10%,50V,X7R,TP,1608,-	
C274	2409-001035	C-ORGANIC	10uF,20%,10V,LZ,TP,5.4x4.3x4.3mm,1	
C275	2402-000108	C-AL,SMD	10uF,20%,16V,WT,TP,4.3x4.3x5.4	
C276	2402-000108	C-AL,SMD	10uF,20%,16V,WT,TP,4.3x4.3x5.4	
C278	2203-000189	C-CERAMIC,CHIP	100nF,+80-20%,25V,Y5V,TP,1608,	
C279	2203-000189	C-CERAMIC,CHIP	100nF,+80-20%,25V,Y5V,TP,1608,	
C280	2203-000189	C-CERAMIC,CHIP	100nF,+80-20%,25V,Y5V,TP,1608,	
C281	2203-000440	C-CERAMIC,CHIP	1nF,10%,50V,X7R,TP,1608,-	
C282	2203-000440	C-CERAMIC,CHIP	1nF,10%,50V,X7R,TP,1608,-	
C283	2203-000189	C-CERAMIC,CHIP	100nF,+80-20%,25V,Y5V,TP,1608,	
C284	2203-000189	C-CERAMIC,CHIP	100nF,+80-20%,25V,Y5V,TP,1608,	
C285	2203-000189	C-CERAMIC,CHIP	100nF,+80-20%,25V,Y5V,TP,1608,	
C286	2203-000189	C-CERAMIC,CHIP	100nF,+80-20%,25V,Y5V,TP,1608,	
C287	2203-000189	C-CERAMIC,CHIP	100nF,+80-20%,25V,Y5V,TP,1608,	
C288	2203-000189	C-CERAMIC,CHIP	100nF,+80-20%,25V,Y5V,TP,1608,	
C289	2203-000189	C-CERAMIC,CHIP	100nF,+80-20%,25V,Y5V,TP,1608,	
C290	2203-000189	C-CERAMIC,CHIP	100nF,+80-20%,25V,Y5V,TP,1608,	
C291	2203-000189	C-CERAMIC,CHIP	100nF,+80-20%,25V,Y5V,TP,1608,	
C292	2203-000189	C-CERAMIC,CHIP	100nF,+80-20%,25V,Y5V,TP,1608,	
C293	2203-000189	C-CERAMIC,CHIP	100nF,+80-20%,25V,Y5V,TP,1608,	
C294	2203-000189	C-CERAMIC,CHIP	100nF,+80-20%,25V,Y5V,TP,1608,	
C295	2203-000189	C-CERAMIC,CHIP	100nF,+80-20%,25V,Y5V,TP,1608,	
C296	2203-000189	C-CERAMIC,CHIP	100nF,+80-20%,25V,Y5V,TP,1608,	
C297	2203-000189	C-CERAMIC,CHIP	100nF,+80-20%,25V,Y5V,TP,1608,	
C298	2203-000189	C-CERAMIC,CHIP	100nF,+80-20%,25V,Y5V,TP,1608,	
C299	2203-000189	C-CERAMIC,CHIP	100nF,+80-20%,25V,Y5V,TP,1608,	
C301	2203-000972	C-CERAMIC,CHIP	47nF,10%,16V,X7R,TP,1608	
C302	2203-000140	C-CERAMIC,CHIP	1.5nF,10%,50V,X7R,TP,1608,-	
C303	2203-000491	C-CERAMIC,CHIP	2.2nF,10%,50V,X7R,TP,1608,-	
C304	2402-000176	C-AL,SMD	10uF,20%,16V,GP,TP,4.3x4.3x5.4	
C305	2203-000903	C-CERAMIC,CHIP	0.0047nF,0.25pF,50V,NP0,TP,1608	
C306	2203-000903	C-CERAMIC,CHIP	0.0047nF,0.25pF,50V,NP0,TP,1608	
C307	2203-001140	C-CERAMIC,CHIP	68nF,10%,16V,X7R,TP,1608,-	
C308	2203-001140	C-CERAMIC,CHIP	68nF,10%,16V,X7R,TP,1608,-	
C309	2203-001140	C-CERAMIC,CHIP	68nF,10%,16V,X7R,TP,1608,-	
C311	2203-000257	C-CERAMIC,CHIP	10nF,10%,50V,X7R,TP,1608	
C312	2402-000176	C-AL,SMD	10uF,20%,16V,GP,TP,4.3x4.3x5.4	
C313	2203-000972	C-CERAMIC,CHIP	47nF,10%,16V,X7R,TP,1608	
C314	2402-000176	C-AL,SMD	10uF,20%,16V,GP,TP,4.3x4.3x5.4	
C315	2402-000209	C-AL,SMD	22uF,20%,16V,WT,TP,5.3x5.3mm,1	
C316	2203-000440	C-CERAMIC,CHIP	1nF,10%,50V,X7R,TP,1608,-	
C317	2203-006036	C-CERAMIC,CHIP	680NF,+80-20%,16V,Y5V,TP,1608	
C318	2203-006036	C-CERAMIC,CHIP	680NF,+80-20%,16V,Y5V,TP,1608	
C319	2203-000189	C-CERAMIC,CHIP	100nF,+80-20%,25V,Y5V,TP,1608,	
C320	2203-006036	C-CERAMIC,CHIP	680NF,+80-20%,16V,Y5V,TP,1608	
C321	2203-001402	C-CERAMIC,CHIP	220nF,+80-20%,16V,Y5V,TP,1608	

Loc. No.	Code No.	Description	Specification	Remarks
C322	2203-000838	C-CERAMIC,CHIP	0.39nF,5%,50V,NP0,TP,1608	
C323	2203-006036	C-CERAMIC,CHIP	680NF,+80-20%,16V,Y5V,TP,1608	
C324	2203-000972	C-CERAMIC,CHIP	47nF,10%,16V,X7R,TP,1608	
C325	2402-000176	C-AL,SMD	10uF,20%,16V,GP,TP,4.3x4.3x5.4	
C326	2203-000140	C-CERAMIC,CHIP	1.5nF,10%,50V,X7R,TP,1608,-	
C327	2203-000972	C-CERAMIC,CHIP	47nF,10%,16V,X7R,TP,1608	
C328	2203-001402	C-CERAMIC,CHIP	220nF,+80-20%,16V,Y5V,TP,1608	
C329	2203-001402	C-CERAMIC,CHIP	220nF,+80-20%,16V,Y5V,TP,1608	
C330	2203-001402	C-CERAMIC,CHIP	220nF,+80-20%,16V,Y5V,TP,1608	
C331	2203-001402	C-CERAMIC,CHIP	220nF,+80-20%,16V,Y5V,TP,1608	
C332	2203-001402	C-CERAMIC,CHIP	220nF,+80-20%,16V,Y5V,TP,1608	
C333	2203-001402	C-CERAMIC,CHIP	220nF,+80-20%,16V,Y5V,TP,1608	
C334	2203-000280	C-CERAMIC,CHIP	0.01nF,0.5pF,50V,NP0,TP,1608	
C335	2203-001683	C-CERAMIC,CHIP	0.068nF,5%,50V,NP0,TP,1608	
C336	2203-001683	C-CERAMIC,CHIP	0.068nF,5%,50V,NP0,TP,1608	
C337	2203-001683	C-CERAMIC,CHIP	0.068nF,5%,50V,NP0,TP,1608	
C338	2203-000280	C-CERAMIC,CHIP	0.01nF,0.5pF,50V,NP0,TP,1608	
C339	2203-000280	C-CERAMIC,CHIP	0.01nF,0.5pF,50V,NP0,TP,1608	
C340	2203-000280	C-CERAMIC,CHIP	0.01nF,0.5pF,50V,NP0,TP,1608	
C341	2203-001630	C-CERAMIC,CHIP	330nF,+80-20%,16V,Y5V,TP,1608	
C342	2203-000838	C-CERAMIC,CHIP	0.39nF,5%,50V,NP0,TP,1608	
C343	2203-000140	C-CERAMIC,CHIP	1.5nF,10%,50V,X7R,TP,1608,-	
C344	2203-001402	C-CERAMIC,CHIP	220nF,+80-20%,16V,Y5V,TP,1608	
C345	2203-005005	C-CERAMIC,CHIP	100nF,10%,16V,X7R,TP,1608	
C346	2203-000491	C-CERAMIC,CHIP	2.2nF,10%,50V,X7R,TP,1608,-	
C347	2402-000170	C-AL,SMD	1uF,20%,50V,GP,TP,4.3x4.3x5.4,	
C350	2203-001656	C-CERAMIC,CHIP	0.47nF,5%,50V,NP0,TP,1608	
C351	2402-000176	C-AL,SMD	10uF,20%,16V,GP,TP,4.3x4.3x5.4	
C352	2402-001100	C-AL,SMD	0.1uF,20%,50V,GP,TP,4.3x4.3x5.2mm	
C353	2402-001081	C-AL,SMD	100uF,20%,25V,WT,TP,8.3x8.3x10	
C354	2203-000257	C-CERAMIC,CHIP	10nF,10%,50V,X7R,TP,1608	
C355	2203-005005	C-CERAMIC,CHIP	100nF,10%,16V,X7R,TP,1608	
C356	2203-000189	C-CERAMIC,CHIP	100nF,+80-20%,25V,Y5V,TP,1608,	
C357	2402-001155	C-AL,SMD	47UF,20%,16V,WT,TP,6.3X5.2MM	
C358	2402-000209	C-AL,SMD	22uF,20%,16V,WT,TP,5.3x5.3mm,1	
C359	2203-000189	C-CERAMIC,CHIP	100nF,+80-20%,25V,Y5V,TP,1608,	
C360	2203-000189	C-CERAMIC,CHIP	100nF,+80-20%,25V,Y5V,TP,1608,	
C361	2203-000189	C-CERAMIC,CHIP	100nF,+80-20%,25V,Y5V,TP,1608,	
C362	2203-000189	C-CERAMIC,CHIP	100nF,+80-20%,25V,Y5V,TP,1608,	
C363	2203-000189	C-CERAMIC,CHIP	100nF,+80-20%,25V,Y5V,TP,1608,	
C364	2203-000189	C-CERAMIC,CHIP	100nF,+80-20%,25V,Y5V,TP,1608,	
C365	2203-000189	C-CERAMIC,CHIP	100nF,+80-20%,25V,Y5V,TP,1608,	
C366	2203-000189	C-CERAMIC,CHIP	100nF,+80-20%,25V,Y5V,TP,1608,	
C367	2203-000189	C-CERAMIC,CHIP	100nF,+80-20%,25V,Y5V,TP,1608,	
C368	2203-000189	C-CERAMIC,CHIP	100nF,+80-20%,25V,Y5V,TP,1608,	
C369	2203-000189	C-CERAMIC,CHIP	100nF,+80-20%,25V,Y5V,TP,1608,	
C370	2203-000189	C-CERAMIC,CHIP	100nF,+80-20%,25V,Y5V,TP,1608,	
C371	2203-000189	C-CERAMIC,CHIP	100nF,+80-20%,25V,Y5V,TP,1608,	
C372	2203-000189	C-CERAMIC,CHIP	100nF,+80-20%,25V,Y5V,TP,1608,	
C373	2203-000189	C-CERAMIC,CHIP	100nF,+80-20%,25V,Y5V,TP,1608,	
C374	2203-000189	C-CERAMIC,CHIP	100nF,+80-20%,25V,Y5V,TP,1608,	
C375	2203-000189	C-CERAMIC,CHIP	100nF,+80-20%,25V,Y5V,TP,1608,	
C376	2203-000189	C-CERAMIC,CHIP	100nF,+80-20%,25V,Y5V,TP,1608,	
C377	2203-000189	C-CERAMIC,CHIP	100nF,+80-20%,25V,Y5V,TP,1608,	
C378	2203-000189	C-CERAMIC,CHIP	100nF,+80-20%,25V,Y5V,TP,1608,	

Loc. No.	Code No.	Description	Specification	Remarks
C379	2203-000189	C-CERAMIC,CHIP	100nF,+80-20%,25V,Y5V,TP,1608,	
C380	2203-000189	C-CERAMIC,CHIP	100nF,+80-20%,25V,Y5V,TP,1608,	
C381	2203-000189	C-CERAMIC,CHIP	100nF,+80-20%,25V,Y5V,TP,1608,	
C382	2203-000189	C-CERAMIC,CHIP	100nF,+80-20%,25V,Y5V,TP,1608,	
C383	2203-000189	C-CERAMIC,CHIP	100nF,+80-20%,25V,Y5V,TP,1608,	
C384	2203-000189	C-CERAMIC,CHIP	100nF,+80-20%,25V,Y5V,TP,1608,	
C385	2203-000189	C-CERAMIC,CHIP	100nF,+80-20%,25V,Y5V,TP,1608,	
C386	2203-005005	C-CERAMIC,CHIP	100nF,10%,16V,X7R,TP,1608	
C387	2402-000108	C-AL,SMD	10uF,20%,16V,WT,TP,4.3x4.3x5.4	
C388	2402-001155	C-AL,SMD	47UF,20%,16V,WT,TP,6.3X5.2MM	
C389	2203-000189	C-CERAMIC,CHIP	100nF,+80-20%,25V,Y5V,TP,1608,	
C390	2203-000189	C-CERAMIC,CHIP	100nF,+80-20%,25V,Y5V,TP,1608,	
C391	2203-000189	C-CERAMIC,CHIP	100nF,+80-20%,25V,Y5V,TP,1608,	
C392	2203-000189	C-CERAMIC,CHIP	100nF,+80-20%,25V,Y5V,TP,1608,	
C393	2203-000189	C-CERAMIC,CHIP	100nF,+80-20%,25V,Y5V,TP,1608,	
C394	2203-000189	C-CERAMIC,CHIP	100nF,+80-20%,25V,Y5V,TP,1608,	
C395	2203-000189	C-CERAMIC,CHIP	100nF,+80-20%,25V,Y5V,TP,1608,	
C396	2402-001155	C-AL,SMD	47UF,20%,16V,WT,TP,6.3X5.2MM	
C397	2203-000189	C-CERAMIC,CHIP	100nF,+80-20%,25V,Y5V,TP,1608,	
C398	2203-000189	C-CERAMIC,CHIP	100nF,+80-20%,25V,Y5V,TP,1608,	
C399	2203-000189	C-CERAMIC,CHIP	100nF,+80-20%,25V,Y5V,TP,1608,	
C400	2203-000189	C-CERAMIC,CHIP	100nF,+80-20%,25V,Y5V,TP,1608,	
C401	2203-000189	C-CERAMIC,CHIP	100nF,+80-20%,25V,Y5V,TP,1608,	
C402	2203-000189	C-CERAMIC,CHIP	100nF,+80-20%,25V,Y5V,TP,1608,	
C404	2203-000189	C-CERAMIC,CHIP	100nF,+80-20%,25V,Y5V,TP,1608,	
C405	2203-000815	C-CERAMIC,CHIP	0.033nF,5%,50V,NP0,TP,1608	
C406	2203-000815	C-CERAMIC,CHIP	0.033nF,5%,50V,NP0,TP,1608	
C407	2203-000189	C-CERAMIC,CHIP	100nF,+80-20%,25V,Y5V,TP,1608,	
C409	2203-000815	C-CERAMIC,CHIP	0.033nF,5%,50V,NP0,TP,1608	
C410	2203-000815	C-CERAMIC,CHIP	0.033nF,5%,50V,NP0,TP,1608	
C411	2203-000189	C-CERAMIC,CHIP	100nF,+80-20%,25V,Y5V,TP,1608,	
C412	2203-000189	C-CERAMIC,CHIP	100nF,+80-20%,25V,Y5V,TP,1608,	
C413	2203-000189	C-CERAMIC,CHIP	100nF,+80-20%,25V,Y5V,TP,1608,	
C414	2203-000189	C-CERAMIC,CHIP	100nF,+80-20%,25V,Y5V,TP,1608,	
C415	2203-000189	C-CERAMIC,CHIP	100nF,+80-20%,25V,Y5V,TP,1608,	
C416	2203-000189	C-CERAMIC,CHIP	100nF,+80-20%,25V,Y5V,TP,1608,	
C500	2203-000440	C-CERAMIC,CHIP	1nF,10%,50V,X7R,TP,1608,-	
C501	2203-000440	C-CERAMIC,CHIP	1nF,10%,50V,X7R,TP,1608,-	
C502	2203-000440	C-CERAMIC,CHIP	1nF,10%,50V,X7R,TP,1608,-	
C503	2203-000440	C-CERAMIC,CHIP	1nF,10%,50V,X7R,TP,1608,-	
C504	2203-000440	C-CERAMIC,CHIP	1nF,10%,50V,X7R,TP,1608,-	
C505	2203-000440	C-CERAMIC,CHIP	1nF,10%,50V,X7R,TP,1608,-	
C506	2203-000440	C-CERAMIC,CHIP	1nF,10%,50V,X7R,TP,1608,-	
C507	2203-000440	C-CERAMIC,CHIP	1nF,10%,50V,X7R,TP,1608,-	
C508	2203-000440	C-CERAMIC,CHIP	1nF,10%,50V,X7R,TP,1608,-	
C509	2203-000440	C-CERAMIC,CHIP	1nF,10%,50V,X7R,TP,1608,-	
C510	2203-000440	C-CERAMIC,CHIP	1nF,10%,50V,X7R,TP,1608,-	
C511	2203-000189	C-CERAMIC,CHIP	100nF,+80-20%,25V,Y5V,TP,1608,	
C512	2203-000189	C-CERAMIC,CHIP	100nF,+80-20%,25V,Y5V,TP,1608,	
C513	2203-000189	C-CERAMIC,CHIP	100nF,+80-20%,25V,Y5V,TP,1608,	
C514	2203-000189	C-CERAMIC,CHIP	100nF,+80-20%,25V,Y5V,TP,1608,	
C515	2203-000189	C-CERAMIC,CHIP	100nF,+80-20%,25V,Y5V,TP,1608,	
C516	2203-000189	C-CERAMIC,CHIP	100nF,+80-20%,25V,Y5V,TP,1608,	
C517	2203-000189	C-CERAMIC,CHIP	100nF,+80-20%,25V,Y5V,TP,1608,	
C518	2203-000189	C-CERAMIC,CHIP	100nF,+80-20%,25V,Y5V,TP,1608,	

Loc. No.	Code No.	Description	Specification	Remarks
C519	2203-000189	C-CERAMIC,CHIP	100nF,+80-20%,25V,Y5V,TP,1608,	
C520	2203-000189	C-CERAMIC,CHIP	100nF,+80-20%,25V,Y5V,TP,1608,	
C521	2203-000189	C-CERAMIC,CHIP	100nF,+80-20%,25V,Y5V,TP,1608,	
C522	2402-000209	C-AL,SMD	22uF,20%,16V,WT,TP,5.3x5.3mm,1	
C523	2402-000209	C-AL,SMD	22uF,20%,16V,WT,TP,5.3x5.3mm,1	
C524	2203-000189	C-CERAMIC,CHIP	100nF,+80-20%,25V,Y5V,TP,1608,	
C525	2203-000189	C-CERAMIC,CHIP	100nF,+80-20%,25V,Y5V,TP,1608,	
C526	2203-000189	C-CERAMIC,CHIP	100nF,+80-20%,25V,Y5V,TP,1608,	
C527	2203-000189	C-CERAMIC,CHIP	100nF,+80-20%,25V,Y5V,TP,1608,	
C528	2203-000189	C-CERAMIC,CHIP	100nF,+80-20%,25V,Y5V,TP,1608,	
C529	2203-000189	C-CERAMIC,CHIP	100nF,+80-20%,25V,Y5V,TP,1608,	
C530	2203-000189	C-CERAMIC,CHIP	100nF,+80-20%,25V,Y5V,TP,1608,	
C531	2203-000189	C-CERAMIC,CHIP	100nF,+80-20%,25V,Y5V,TP,1608,	
C532	2203-000189	C-CERAMIC,CHIP	100nF,+80-20%,25V,Y5V,TP,1608,	
C533	2203-000189	C-CERAMIC,CHIP	100nF,+80-20%,25V,Y5V,TP,1608,	
C534	2203-000189	C-CERAMIC,CHIP	100nF,+80-20%,25V,Y5V,TP,1608,	
C535	2203-000189	C-CERAMIC,CHIP	100nF,+80-20%,25V,Y5V,TP,1608,	
C536	2402-000209	C-AL,SMD	22uF,20%,16V,WT,TP,5.3x5.3mm,1	
C537	2203-000189	C-CERAMIC,CHIP	100nF,+80-20%,25V,Y5V,TP,1608,	
C538	2203-000189	C-CERAMIC,CHIP	100nF,+80-20%,25V,Y5V,TP,1608,	
C539	2203-000189	C-CERAMIC,CHIP	100nF,+80-20%,25V,Y5V,TP,1608,	
C540	2203-000189	C-CERAMIC,CHIP	100nF,+80-20%,25V,Y5V,TP,1608,	
C541	2203-000189	C-CERAMIC,CHIP	100nF,+80-20%,25V,Y5V,TP,1608,	
C542	2203-000189	C-CERAMIC,CHIP	100nF,+80-20%,25V,Y5V,TP,1608,	
C543	2203-000189	C-CERAMIC,CHIP	100nF,+80-20%,25V,Y5V,TP,1608,	
C544	2203-000189	C-CERAMIC,CHIP	100nF,+80-20%,25V,Y5V,TP,1608,	
C545	2203-000189	C-CERAMIC,CHIP	100nF,+80-20%,25V,Y5V,TP,1608,	
C546	2203-000189	C-CERAMIC,CHIP	100nF,+80-20%,25V,Y5V,TP,1608,	
C547	2203-000189	C-CERAMIC,CHIP	100nF,+80-20%,25V,Y5V,TP,1608,	
C548	2203-000189	C-CERAMIC,CHIP	100nF,+80-20%,25V,Y5V,TP,1608,	
C549	2203-000440	C-CERAMIC,CHIP	1nF,10%,50V,X7R,TP,1608,-	
C550	2203-000440	C-CERAMIC,CHIP	1nF,10%,50V,X7R,TP,1608,-	
C551	2203-000440	C-CERAMIC,CHIP	1nF,10%,50V,X7R,TP,1608,-	
C552	2203-000440	C-CERAMIC,CHIP	1nF,10%,50V,X7R,TP,1608,-	
C553	2203-000189	C-CERAMIC,CHIP	100nF,+80-20%,25V,Y5V,TP,1608,	
C554	2203-000189	C-CERAMIC,CHIP	100nF,+80-20%,25V,Y5V,TP,1608,	
C555	2203-000189	C-CERAMIC,CHIP	100nF,+80-20%,25V,Y5V,TP,1608,	
C556	2203-000189	C-CERAMIC,CHIP	100nF,+80-20%,25V,Y5V,TP,1608,	
C557	2203-000189	C-CERAMIC,CHIP	100nF,+80-20%,25V,Y5V,TP,1608,	
C558	2203-000189	C-CERAMIC,CHIP	100nF,+80-20%,25V,Y5V,TP,1608,	
C559	2203-000189	C-CERAMIC,CHIP	100nF,+80-20%,25V,Y5V,TP,1608,	
C560	2203-000189	C-CERAMIC,CHIP	100nF,+80-20%,25V,Y5V,TP,1608,	
C561	2203-000189	C-CERAMIC,CHIP	100nF,+80-20%,25V,Y5V,TP,1608,	
C562	2203-000189	C-CERAMIC,CHIP	100nF,+80-20%,25V,Y5V,TP,1608,	
C563	2203-000189	C-CERAMIC,CHIP	100nF,+80-20%,25V,Y5V,TP,1608,	
C564	2203-000189	C-CERAMIC,CHIP	100nF,+80-20%,25V,Y5V,TP,1608,	
C565	2402-000209	C-AL,SMD	22uF,20%,16V,WT,TP,5.3x5.3mm,1	
C566	2409-001035	C-ORGANIC	10uF,20%,10V,LZ,TP,5.4x4.3x4.3mm,1	
C567	2203-000189	C-CERAMIC,CHIP	100nF,+80-20%,25V,Y5V,TP,1608,	
C568	2203-000189	C-CERAMIC,CHIP	100nF,+80-20%,25V,Y5V,TP,1608,	
C569	2203-000189	C-CERAMIC,CHIP	100nF,+80-20%,25V,Y5V,TP,1608,	
C570	2203-000384	C-CERAMIC,CHIP	0.015nF,5%,50V,NPO,TP,1608	
C571	2203-005065	C-CERAMIC,CHIP	1000nF,+80-20%,10V,Y5V,TP,1608	
C572	2203-005065	C-CERAMIC,CHIP	1000nF,+80-20%,10V,Y5V,TP,1608	
C573	2203-005065	C-CERAMIC,CHIP	1000nF,+80-20%,10V,Y5V,TP,1608	

Loc. No.	Code No.	Description	Specification	Remarks
C574	2203-005065	C-CERAMIC,CHIP	100nF,+80-20%,10V,Y5V,TP,1608	
C575	2203-005065	C-CERAMIC,CHIP	100nF,+80-20%,10V,Y5V,TP,1608	
C576	2203-005065	C-CERAMIC,CHIP	100nF,+80-20%,10V,Y5V,TP,1608	
C577	2203-005065	C-CERAMIC,CHIP	100nF,+80-20%,10V,Y5V,TP,1608	
C578	2203-005065	C-CERAMIC,CHIP	100nF,+80-20%,10V,Y5V,TP,1608	
C579	2203-005065	C-CERAMIC,CHIP	100nF,+80-20%,10V,Y5V,TP,1608	
C580	2203-005065	C-CERAMIC,CHIP	100nF,+80-20%,10V,Y5V,TP,1608	
C581	2203-005065	C-CERAMIC,CHIP	100nF,+80-20%,10V,Y5V,TP,1608	
C582	2203-000189	C-CERAMIC,CHIP	100nF,+80-20%,25V,Y5V,TP,1608,	
C600	2203-000440	C-CERAMIC,CHIP	1nF,10%,50V,X7R,TP,1608,-	
C601	2203-000440	C-CERAMIC,CHIP	1nF,10%,50V,X7R,TP,1608,-	
C602	2203-000440	C-CERAMIC,CHIP	1nF,10%,50V,X7R,TP,1608,-	
C603	2203-000440	C-CERAMIC,CHIP	1nF,10%,50V,X7R,TP,1608,-	
C604	2203-000440	C-CERAMIC,CHIP	1nF,10%,50V,X7R,TP,1608,-	
C605	2203-000440	C-CERAMIC,CHIP	1nF,10%,50V,X7R,TP,1608,-	
C606	2203-000440	C-CERAMIC,CHIP	1nF,10%,50V,X7R,TP,1608,-	
C607	2203-000440	C-CERAMIC,CHIP	1nF,10%,50V,X7R,TP,1608,-	
C608	2203-000440	C-CERAMIC,CHIP	1nF,10%,50V,X7R,TP,1608,-	
C609	2203-000440	C-CERAMIC,CHIP	1nF,10%,50V,X7R,TP,1608,-	
C610	2203-000440	C-CERAMIC,CHIP	1nF,10%,50V,X7R,TP,1608,-	
C611	2203-000189	C-CERAMIC,CHIP	100nF,+80-20%,25V,Y5V,TP,1608,	
C612	2203-000189	C-CERAMIC,CHIP	100nF,+80-20%,25V,Y5V,TP,1608,	
C613	2203-000189	C-CERAMIC,CHIP	100nF,+80-20%,25V,Y5V,TP,1608,	
C614	2203-000189	C-CERAMIC,CHIP	100nF,+80-20%,25V,Y5V,TP,1608,	
C615	2203-000189	C-CERAMIC,CHIP	100nF,+80-20%,25V,Y5V,TP,1608,	
C616	2203-000189	C-CERAMIC,CHIP	100nF,+80-20%,25V,Y5V,TP,1608,	
C617	2203-000189	C-CERAMIC,CHIP	100nF,+80-20%,25V,Y5V,TP,1608,	
C618	2203-000189	C-CERAMIC,CHIP	100nF,+80-20%,25V,Y5V,TP,1608,	
C619	2203-000189	C-CERAMIC,CHIP	100nF,+80-20%,25V,Y5V,TP,1608,	
C620	2203-000189	C-CERAMIC,CHIP	100nF,+80-20%,25V,Y5V,TP,1608,	
C621	2203-000189	C-CERAMIC,CHIP	100nF,+80-20%,25V,Y5V,TP,1608,	
C622	2402-000209	C-AL,SMD	22uF,20%,16V,WT,TP,5.3x5.3mm,1	
C623	2203-000440	C-CERAMIC,CHIP	1nF,10%,50V,X7R,TP,1608,-	
C624	2203-000440	C-CERAMIC,CHIP	1nF,10%,50V,X7R,TP,1608,-	
C625	2203-000440	C-CERAMIC,CHIP	1nF,10%,50V,X7R,TP,1608,-	
C626	2203-000440	C-CERAMIC,CHIP	1nF,10%,50V,X7R,TP,1608,-	
C627	2203-000189	C-CERAMIC,CHIP	100nF,+80-20%,25V,Y5V,TP,1608,	
C628	2203-000189	C-CERAMIC,CHIP	100nF,+80-20%,25V,Y5V,TP,1608,	
C629	2203-000189	C-CERAMIC,CHIP	100nF,+80-20%,25V,Y5V,TP,1608,	
C630	2203-000189	C-CERAMIC,CHIP	100nF,+80-20%,25V,Y5V,TP,1608,	
C631	2203-000189	C-CERAMIC,CHIP	100nF,+80-20%,25V,Y5V,TP,1608,	
C632	2203-000189	C-CERAMIC,CHIP	100nF,+80-20%,25V,Y5V,TP,1608,	
C633	2203-000189	C-CERAMIC,CHIP	100nF,+80-20%,25V,Y5V,TP,1608,	
C634	2203-000189	C-CERAMIC,CHIP	100nF,+80-20%,25V,Y5V,TP,1608,	
C635	2203-000189	C-CERAMIC,CHIP	100nF,+80-20%,25V,Y5V,TP,1608,	
C636	2203-000189	C-CERAMIC,CHIP	100nF,+80-20%,25V,Y5V,TP,1608,	
C637	2203-000189	C-CERAMIC,CHIP	100nF,+80-20%,25V,Y5V,TP,1608,	
C638	2203-000189	C-CERAMIC,CHIP	100nF,+80-20%,25V,Y5V,TP,1608,	
C639	2402-000209	C-AL,SMD	22uF,20%,16V,WT,TP,5.3x5.3mm,1	
C640	2409-001035	C-ORGANIC	10uF,20%,10V,LZ,TP,5.4x4.3x4.3mm,1	
C641	2203-000189	C-CERAMIC,CHIP	100nF,+80-20%,25V,Y5V,TP,1608,	
C642	2203-000189	C-CERAMIC,CHIP	100nF,+80-20%,25V,Y5V,TP,1608,	
C643	2203-000189	C-CERAMIC,CHIP	100nF,+80-20%,25V,Y5V,TP,1608,	
C644	2402-000209	C-AL,SMD	22uF,20%,16V,WT,TP,5.3x5.3mm,1	
C645	2203-000384	C-CERAMIC,CHIP	0.015nF,5%,50V,NP0,TP,1608	

Loc. No.	Code No.	Description	Specification	Remarks
C646	2402-000209	C-AL,SMD	22uF,20%,16V,WT,TP,5.3x5.3mm,1	
C647	2203-000189	C-CERAMIC,CHIP	100nF,+80-20%,25V,Y5V,TP,1608,	
C648	2203-000189	C-CERAMIC,CHIP	100nF,+80-20%,25V,Y5V,TP,1608,	
C649	2203-000189	C-CERAMIC,CHIP	100nF,+80-20%,25V,Y5V,TP,1608,	
C650	2203-000189	C-CERAMIC,CHIP	100nF,+80-20%,25V,Y5V,TP,1608,	
C651	2203-000189	C-CERAMIC,CHIP	100nF,+80-20%,25V,Y5V,TP,1608,	
C652	2203-000189	C-CERAMIC,CHIP	100nF,+80-20%,25V,Y5V,TP,1608,	
C653	2203-000189	C-CERAMIC,CHIP	100nF,+80-20%,25V,Y5V,TP,1608,	
C654	2203-000189	C-CERAMIC,CHIP	100nF,+80-20%,25V,Y5V,TP,1608,	
C655	2203-000189	C-CERAMIC,CHIP	100nF,+80-20%,25V,Y5V,TP,1608,	
C656	2203-000189	C-CERAMIC,CHIP	100nF,+80-20%,25V,Y5V,TP,1608,	
C657	2203-000189	C-CERAMIC,CHIP	100nF,+80-20%,25V,Y5V,TP,1608,	
C658	2203-000189	C-CERAMIC,CHIP	100nF,+80-20%,25V,Y5V,TP,1608,	
C659	2402-000209	C-AL,SMD	22uF,20%,16V,WT,TP,5.3x5.3mm,1	
C660	2203-000189	C-CERAMIC,CHIP	100nF,+80-20%,25V,Y5V,TP,1608,	
C661	2203-000189	C-CERAMIC,CHIP	100nF,+80-20%,25V,Y5V,TP,1608,	
C662	2203-000189	C-CERAMIC,CHIP	100nF,+80-20%,25V,Y5V,TP,1608,	
C663	2203-000189	C-CERAMIC,CHIP	100nF,+80-20%,25V,Y5V,TP,1608,	
C664	2203-000189	C-CERAMIC,CHIP	100nF,+80-20%,25V,Y5V,TP,1608,	
C665	2203-000189	C-CERAMIC,CHIP	100nF,+80-20%,25V,Y5V,TP,1608,	
C666	2203-000189	C-CERAMIC,CHIP	100nF,+80-20%,25V,Y5V,TP,1608,	
C667	2203-000189	C-CERAMIC,CHIP	100nF,+80-20%,25V,Y5V,TP,1608,	
C668	2203-000189	C-CERAMIC,CHIP	100nF,+80-20%,25V,Y5V,TP,1608,	
C669	2203-000189	C-CERAMIC,CHIP	100nF,+80-20%,25V,Y5V,TP,1608,	
C670	2203-000189	C-CERAMIC,CHIP	100nF,+80-20%,25V,Y5V,TP,1608,	
C671	2203-000189	C-CERAMIC,CHIP	100nF,+80-20%,25V,Y5V,TP,1608,	
C672	2203-000384	C-CERAMIC,CHIP	0.015nF,5%,50V,NP0,TP,1608	
C700	2203-000189	C-CERAMIC,CHIP	100nF,+80-20%,25V,Y5V,TP,1608,	
C701	2203-000189	C-CERAMIC,CHIP	100nF,+80-20%,25V,Y5V,TP,1608,	
C702	2203-000189	C-CERAMIC,CHIP	100nF,+80-20%,25V,Y5V,TP,1608,	
C703	2203-000189	C-CERAMIC,CHIP	100nF,+80-20%,25V,Y5V,TP,1608,	
C704	2203-000189	C-CERAMIC,CHIP	100nF,+80-20%,25V,Y5V,TP,1608,	
C705	2203-000189	C-CERAMIC,CHIP	100nF,+80-20%,25V,Y5V,TP,1608,	
C706	2203-000189	C-CERAMIC,CHIP	100nF,+80-20%,25V,Y5V,TP,1608,	
C707	2203-000189	C-CERAMIC,CHIP	100nF,+80-20%,25V,Y5V,TP,1608,	
C708	2402-001160	C-AL,SMD	330UF,20%,16V,WT,TP,1008	
C709	2402-000173	C-AL,SMD	4.7uF,20%,35V,GP,TP,4.3x4.3x5.	
C710	2203-000189	C-CERAMIC,CHIP	100nF,+80-20%,25V,Y5V,TP,1608,	
C711	2203-000189	C-CERAMIC,CHIP	100nF,+80-20%,25V,Y5V,TP,1608,	
C712	2203-000189	C-CERAMIC,CHIP	100nF,+80-20%,25V,Y5V,TP,1608,	
C713	2203-000189	C-CERAMIC,CHIP	100nF,+80-20%,25V,Y5V,TP,1608,	
C714	2203-000189	C-CERAMIC,CHIP	100nF,+80-20%,25V,Y5V,TP,1608,	
C715	2203-000189	C-CERAMIC,CHIP	100nF,+80-20%,25V,Y5V,TP,1608,	
C800	2203-000189	C-CERAMIC,CHIP	100nF,+80-20%,25V,Y5V,TP,1608,	
C801	2402-001160	C-AL,SMD	330UF,20%,16V,WT,TP,1008	
C802	2203-000189	C-CERAMIC,CHIP	100nF,+80-20%,25V,Y5V,TP,1608,	
C803	2402-001160	C-AL,SMD	330UF,20%,16V,WT,TP,1008	
C806	2402-001160	C-AL,SMD	330UF,20%,16V,WT,TP,1008	
C807	2402-001160	C-AL,SMD	330UF,20%,16V,WT,TP,1008	
C808	2203-000257	C-CERAMIC,CHIP	10nF,10%,50V,X7R,TP,1608	
C809	2203-000257	C-CERAMIC,CHIP	10nF,10%,50V,X7R,TP,1608	
C810	2203-000189	C-CERAMIC,CHIP	100nF,+80-20%,25V,Y5V,TP,1608,	
C811	2402-001160	C-AL,SMD	330UF,20%,16V,WT,TP,1008	
C812	2203-005065	C-CERAMIC,CHIP	1000nF,+80-20%,10V,Y5V,TP,1608	
C813	2402-001160	C-AL,SMD	330UF,20%,16V,WT,TP,1008	

Loc. No.	Code No.	Description	Specification	Remarks
C814	2203-000257	C-CERAMIC,CHIP	10nF,10%,50V,X7R,TP,1608	
C815	2409-001035	C-ORGANIC	10uF,20%,10V,LZ,TP,5.4x4.3x4.3mm,1	
C816	2203-000189	C-CERAMIC,CHIP	100nF,+80-20%,25V,Y5V,TP,1608,	
C817	2203-005065	C-CERAMIC,CHIP	1000nF,+80-20%,10V,Y5V,TP,1608	
C818	2203-000189	C-CERAMIC,CHIP	100nF,+80-20%,25V,Y5V,TP,1608,	
C819	2402-001160	C-AL,SMD	330UF,20%,16V,WT,TP,1008	
C820	2203-001656	C-CERAMIC,CHIP	0.47nF,5%,50V,NP0,TP,1608	
C821	2203-000257	C-CERAMIC,CHIP	10nF,10%,50V,X7R,TP,1608	
C822	2402-001160	C-AL,SMD	330UF,20%,16V,WT,TP,1008	
C823	2409-001035	C-ORGANIC	10uF,20%,10V,LZ,TP,5.4x4.3x4.3mm,1	
C824	2409-001035	C-ORGANIC	10uF,20%,10V,LZ,TP,5.4x4.3x4.3mm,1	
C825	2203-000189	C-CERAMIC,CHIP	100nF,+80-20%,25V,Y5V,TP,1608,	
C826	2203-000189	C-CERAMIC,CHIP	100nF,+80-20%,25V,Y5V,TP,1608,	
C827	2203-005065	C-CERAMIC,CHIP	1000nF,+80-20%,10V,Y5V,TP,1608	
C828	2203-000189	C-CERAMIC,CHIP	100nF,+80-20%,25V,Y5V,TP,1608,	
C829	2402-001081	C-AL,SMD	100uF,20%,25V,WT,TP,8.3x8.3x10	
C830	2203-005065	C-CERAMIC,CHIP	1000nF,+80-20%,10V,Y5V,TP,1608	
C831	2409-001035	C-ORGANIC	10uF,20%,10V,LZ,TP,5.4x4.3x4.3mm,1	
C832	2203-001656	C-CERAMIC,CHIP	0.47nF,5%,50V,NP0,TP,1608	
C833	2203-000189	C-CERAMIC,CHIP	100nF,+80-20%,25V,Y5V,TP,1608,	
C834	2203-000257	C-CERAMIC,CHIP	10nF,10%,50V,X7R,TP,1608	
C835	2409-001029	C-ORGANIC	120uF,20%,6.3V,WT,TP,10.3x10.3x10.3mm,9	
C836	2402-000108	C-AL,SMD	10uF,20%,16V,WT,TP,4.3x4.3x5.4	
C837	2203-001630	C-CERAMIC,CHIP	330nF,+80-20%,16V,Y5V,TP,1608	
C838	2203-000189	C-CERAMIC,CHIP	100nF,+80-20%,25V,Y5V,TP,1608,	
C839	2203-001630	C-CERAMIC,CHIP	330nF,+80-20%,16V,Y5V,TP,1608	
C840	2203-000189	C-CERAMIC,CHIP	100nF,+80-20%,25V,Y5V,TP,1608,	
C841	2203-000440	C-CERAMIC,CHIP	1nF,10%,50V,X7R,TP,1608,-	
C842	2203-000189	C-CERAMIC,CHIP	100nF,+80-20%,25V,Y5V,TP,1608,	
C843	2402-001160	C-AL,SMD	330UF,20%,16V,WT,TP,1008	
C844	2203-000189	C-CERAMIC,CHIP	100nF,+80-20%,25V,Y5V,TP,1608,	
C845	2402-001160	C-AL,SMD	330UF,20%,16V,WT,TP,1008	
C846	2203-005065	C-CERAMIC,CHIP	1000nF,+80-20%,10V,Y5V,TP,1608	
C847	2203-001656	C-CERAMIC,CHIP	0.47nF,5%,50V,NP0,TP,1608	
C848	2203-001656	C-CERAMIC,CHIP	0.47nF,5%,50V,NP0,TP,1608	
C849	2203-000257	C-CERAMIC,CHIP	10nF,10%,50V,X7R,TP,1608	
C850	2402-001160	C-AL,SMD	330UF,20%,16V,WT,TP,1008	
C851	2203-000257	C-CERAMIC,CHIP	10nF,10%,50V,X7R,TP,1608	
C852	2402-001160	C-AL,SMD	330UF,20%,16V,WT,TP,1008	
C853	2203-001630	C-CERAMIC,CHIP	330nF,+80-20%,16V,Y5V,TP,1608	
C854	2203-000189	C-CERAMIC,CHIP	100nF,+80-20%,25V,Y5V,TP,1608,	
C903	2203-005005	C-CERAMIC,CHIP	100nF,10%,16V,X7R,TP,1608	
C904	2203-000140	C-CERAMIC,CHIP	1.5nF,10%,50V,X7R,TP,1608,-	
C905	2203-001607	C-CERAMIC,CHIP	0.22nF,5%,50V,NP0,TP,1608	
C906	2402-000176	C-AL,SMD	10uF,20%,16V,GP,TP,4.3x4.3x5.4	
C907	2203-000972	C-CERAMIC,CHIP	47nF,10%,16V,X7R,TP,1608	
C908	2203-001656	C-CERAMIC,CHIP	0.47nF,5%,50V,NP0,TP,1608	
C909	2402-000176	C-AL,SMD	10uF,20%,16V,GP,TP,4.3x4.3x5.4	
C910	2402-000173	C-AL,SMD	4.7uF,20%,35V,GP,TP,4.3x4.3x5.	
C911	2402-000173	C-AL,SMD	4.7uF,20%,35V,GP,TP,4.3x4.3x5.	
C912	2203-000784	C-CERAMIC,CHIP	0.33nF,5%,50V,NP0,TP,2012	
C913	2402-000176	C-AL,SMD	10uF,20%,16V,GP,TP,4.3x4.3x5.4	
C916	2402-001155	C-AL,SMD	47UF,20%,16V,WT,TP,6.3X5.2MM	
C917	2402-001081	C-AL,SMD	100uF,20%,25V,WT,TP,8.3x8.3x10	
C920	2203-000189	C-CERAMIC,CHIP	100nF,+80-20%,25V,Y5V,TP,1608,	

Loc. No.	Code No.	Description	Specification	Remarks
C921	2203-000189	C-CERAMIC,CHIP	100nF,+80-20%,25V,Y5V,TP,1608,	
C922	2203-000189	C-CERAMIC,CHIP	100nF,+80-20%,25V,Y5V,TP,1608,	
C923	2203-000189	C-CERAMIC,CHIP	100nF,+80-20%,25V,Y5V,TP,1608,	
C950	2203-000189	C-CERAMIC,CHIP	100nF,+80-20%,25V,Y5V,TP,1608,	
C951	2203-000257	C-CERAMIC,CHIP	10nF,10%,50V,X7R,TP,1608	
C952	2203-000189	C-CERAMIC,CHIP	100nF,+80-20%,25V,Y5V,TP,1608,	
C953	2203-000140	C-CERAMIC,CHIP	1.5nF,10%,50V,X7R,TP,1608,-	
CA100	2503-001018	C-NETWORK	15PFX4,10%,50V,-	
CA101	2503-001018	C-NETWORK	15PFX4,10%,50V,-	
CA102	2503-001018	C-NETWORK	15PFX4,10%,50V,-	
CA103	2503-001018	C-NETWORK	15PFX4,10%,50V,-	
CA200	2503-001018	C-NETWORK	15PFX4,10%,50V,-	
CA201	2503-001018	C-NETWORK	15PFX4,10%,50V,-	
CA202	2503-001018	C-NETWORK	15PFX4,10%,50V,-	
CA203	2503-001018	C-NETWORK	15PFX4,10%,50V,-	
CA204	2503-001018	C-NETWORK	15PFX4,10%,50V,-	
CA205	2503-001018	C-NETWORK	15PFX4,10%,50V,-	
CA206	2503-001018	C-NETWORK	15PFX4,10%,50V,-	
CA207	2503-001018	C-NETWORK	15PFX4,10%,50V,-	
CA208	2503-001018	C-NETWORK	15PFX4,10%,50V,-	
CA209	2503-001018	C-NETWORK	15PFX4,10%,50V,-	
CA210	2503-001018	C-NETWORK	15PFX4,10%,50V,-	
CA211	2503-001018	C-NETWORK	15PFX4,10%,50V,-	
CA600	2503-001018	C-NETWORK	15PFX4,10%,50V,-	
CA601	2503-001018	C-NETWORK	15PFX4,10%,50V,-	
CA602	2503-001018	C-NETWORK	15PFX4,10%,50V,-	
CA603	2503-001018	C-NETWORK	15PFX4,10%,50V,-	
CA604	2503-001018	C-NETWORK	15PFX4,10%,50V,-	
CA605	2503-001018	C-NETWORK	15PFX4,10%,50V,-	
CA606	2503-001018	C-NETWORK	15PFX4,10%,50V,-	
CA607	2503-001018	C-NETWORK	15PFX4,10%,50V,-	
CA608	2503-001018	C-NETWORK	15PFX4,10%,50V,-	
CA609	2503-001018	C-NETWORK	15PFX4,10%,50V,-	
CA610	2503-001018	C-NETWORK	15PFX4,10%,50V,-	
CA611	2503-001018	C-NETWORK	15PFX4,10%,50V,-	
CL800	BN27-00008A	COIL-SMD	SMD12*12*8.5,GH15/17PS,22.0UH,±20%,0.0450HM MAX.3.0A,DR10X7/SMD12X6.7,16.5TS	
CL801	BN27-00008A	COIL-SMD	SMD12*12*8.5,GH15/17PS,22.0UH,±20%,0.0450HM MAX.3.0A,DR10X7/SMD12X6.7,16.5TS	
CL802	BN27-00008A	COIL-SMD	SMD12*12*8.5,GH15/17PS,22.0UH,±20%,0.0450HM MAX.3.0A,DR10X7/SMD12X6.7,16.5TS	
CL803	BN27-00008A	COIL-SMD	SMD12*12*8.5,GH15/17PS,22.0UH,±20%,0.0450HM MAX.3.0A,DR10X7/SMD12X6.7,16.5TS	
CN501	3711-003938	CONNECTOR-HEADER	3WALL,15P,1R,1.25mm,SMD-S,SN	SNA
CN700	3711-003938	CONNECTOR-HEADER	3WALL,15P,1R,1.25mm,SMD-S,SN	SNA
CN701	3711-004130	CONNECTOR-HEADER	BOX,31P,2R,0.625mm,SMD-A,AUF	
CN702	3711-000556	CONNECTOR-HEADER	BOX,12P,1R,1.25mm,SMD-A,SN	SNA
D101	0401-001056	DIODE-SWITCHING	MMBD4148SE,75V,200MA,SOT-23,TP	
D102	0401-001056	DIODE-SWITCHING	MMBD4148SE,75V,200MA,SOT-23,TP	
D103	0401-001056	DIODE-SWITCHING	MMBD4148SE,75V,200MA,SOT-23,TP	
D104	0401-001056	DIODE-SWITCHING	MMBD4148SE,75V,200MA,SOT-23,TP	
D105	0401-001056	DIODE-SWITCHING	MMBD4148SE,75V,200MA,SOT-23,TP	
D106	0401-001056	DIODE-SWITCHING	MMBD4148SE,75V,200MA,SOT-23,TP	
D107	0401-001056	DIODE-SWITCHING	MMBD4148SE,75V,200MA,SOT-23,TP	
D108	0401-001056	DIODE-SWITCHING	MMBD4148SE,75V,200MA,SOT-23,TP	
D109	0401-001056	DIODE-SWITCHING	MMBD4148SE,75V,200MA,SOT-23,TP	
D200	0401-001056	DIODE-SWITCHING	MMBD4148SE,75V,200MA,SOT-23,TP	
D201	0401-001056	DIODE-SWITCHING	MMBD4148SE,75V,200MA,SOT-23,TP	
D202	0401-001056	DIODE-SWITCHING	MMBD4148SE,75V,200MA,SOT-23,TP	

Loc. No.	Code No.	Description	Specification	Remarks
D203	0401-001056	DIODE-SWITCHING	MMBD4148SE,75V,200MA,SOT-23,TP	
D204	0401-001056	DIODE-SWITCHING	MMBD4148SE,75V,200MA,SOT-23,TP	
D205	0401-001056	DIODE-SWITCHING	MMBD4148SE,75V,200MA,SOT-23,TP	
D206	0401-001056	DIODE-SWITCHING	MMBD4148SE,75V,200MA,SOT-23,TP	
D207	0401-001056	DIODE-SWITCHING	MMBD4148SE,75V,200MA,SOT-23,TP	
D301	0401-001056	DIODE-SWITCHING	MMBD4148SE,75V,200MA,SOT-23,TP	
D302	0401-001056	DIODE-SWITCHING	MMBD4148SE,75V,200MA,SOT-23,TP	
D304	0402-000553	DIODE-RECTIFIER	SS24,40V,2.0A,DO-214AA	
D800	0402-000553	DIODE-RECTIFIER	SS24,40V,2.0A,DO-214AA	
D801	0402-000553	DIODE-RECTIFIER	SS24,40V,2.0A,DO-214AA	
D802	0402-000553	DIODE-RECTIFIER	SS24,40V,2.0A,DO-214AA	
D803	0402-000553	DIODE-RECTIFIER	SS24,40V,2.0A,DO-214AA	
FT101	2901-001114	FILTER-EMI SMD	25VDC,2.0ADC,-,100nF,3.2x1.6x1	
FT102	2901-001114	FILTER-EMI SMD	25VDC,2.0ADC,-,100nF,3.2x1.6x1	
FT103	2901-001114	FILTER-EMI SMD	25VDC,2.0ADC,-,100nF,3.2x1.6x1	
FT104	2901-001114	FILTER-EMI SMD	25VDC,2.0ADC,-,100nF,3.2x1.6x1	
FT105	3301-001145	CORE-FERRITE BEAD	AB,4.5x1.6x1.6mm,-,-	SNA
FT200	2901-001114	FILTER-EMI SMD	25VDC,2.0ADC,-,100nF,3.2x1.6x1	
FT201	2901-001114	FILTER-EMI SMD	25VDC,2.0ADC,-,100nF,3.2x1.6x1	
FT202	2901-001114	FILTER-EMI SMD	25VDC,2.0ADC,-,100nF,3.2x1.6x1	
FT203	2901-001114	FILTER-EMI SMD	25VDC,2.0ADC,-,100nF,3.2x1.6x1	
FT204	2901-001114	FILTER-EMI SMD	25VDC,2.0ADC,-,100nF,3.2x1.6x1	
FT205	2901-001114	FILTER-EMI SMD	25VDC,2.0ADC,-,100nF,3.2x1.6x1	
FT206	2901-001114	FILTER-EMI SMD	25VDC,2.0ADC,-,100nF,3.2x1.6x1	
FT301	2901-001114	FILTER-EMI SMD	25VDC,2.0ADC,-,100nF,3.2x1.6x1	
FT302	2901-001114	FILTER-EMI SMD	25VDC,2.0ADC,-,100nF,3.2x1.6x1	
FT303	2901-001114	FILTER-EMI SMD	25VDC,2.0ADC,-,100nF,3.2x1.6x1	
FT304	2901-001114	FILTER-EMI SMD	25VDC,2.0ADC,-,100nF,3.2x1.6x1	
FT305	2901-001114	FILTER-EMI SMD	25VDC,2.0ADC,-,100nF,3.2x1.6x1	
FT306	2901-001114	FILTER-EMI SMD	25VDC,2.0ADC,-,100nF,3.2x1.6x1	
FT307	2901-001114	FILTER-EMI SMD	25VDC,2.0ADC,-,100nF,3.2x1.6x1	
FT308	2901-001114	FILTER-EMI SMD	25VDC,2.0ADC,-,100nF,3.2x1.6x1	
FT309	2901-001114	FILTER-EMI SMD	25VDC,2.0ADC,-,100nF,3.2x1.6x1	
FT310	2901-001114	FILTER-EMI SMD	25VDC,2.0ADC,-,100nF,3.2x1.6x1	
FT311	2901-001114	FILTER-EMI SMD	25VDC,2.0ADC,-,100nF,3.2x1.6x1	
FT312	2901-001114	FILTER-EMI SMD	25VDC,2.0ADC,-,100nF,3.2x1.6x1	
FT400	2901-001114	FILTER-EMI SMD	25VDC,2.0ADC,-,100nF,3.2x1.6x1	
FT401	2901-001114	FILTER-EMI SMD	25VDC,2.0ADC,-,100nF,3.2x1.6x1	
FT402	2901-001114	FILTER-EMI SMD	25VDC,2.0ADC,-,100nF,3.2x1.6x1	
FT403	2901-001114	FILTER-EMI SMD	25VDC,2.0ADC,-,100nF,3.2x1.6x1	
FT405	2901-001114	FILTER-EMI SMD	25VDC,2.0ADC,-,100nF,3.2x1.6x1	
FT406	2901-001114	FILTER-EMI SMD	25VDC,2.0ADC,-,100nF,3.2x1.6x1	
FT407	2901-001114	FILTER-EMI SMD	25VDC,2.0ADC,-,100nF,3.2x1.6x1	
FT408	2901-001114	FILTER-EMI SMD	25VDC,2.0ADC,-,100nF,3.2x1.6x1	
FT409	2901-001114	FILTER-EMI SMD	25VDC,2.0ADC,-,100nF,3.2x1.6x1	
FT500	2901-001114	FILTER-EMI SMD	25VDC,2.0ADC,-,100nF,3.2x1.6x1	
FT501	2901-001114	FILTER-EMI SMD	25VDC,2.0ADC,-,100nF,3.2x1.6x1	
FT502	2901-001114	FILTER-EMI SMD	25VDC,2.0ADC,-,100nF,3.2x1.6x1	
FT503	2901-001114	FILTER-EMI SMD	25VDC,2.0ADC,-,100nF,3.2x1.6x1	
FT504	2901-001114	FILTER-EMI SMD	25VDC,2.0ADC,-,100nF,3.2x1.6x1	
FT505	2901-001114	FILTER-EMI SMD	25VDC,2.0ADC,-,100nF,3.2x1.6x1	
FT506	2901-001114	FILTER-EMI SMD	25VDC,2.0ADC,-,100nF,3.2x1.6x1	
FT507	2901-001114	FILTER-EMI SMD	25VDC,2.0ADC,-,100nF,3.2x1.6x1	
FT508	2901-001114	FILTER-EMI SMD	25VDC,2.0ADC,-,100nF,3.2x1.6x1	
FT600	2901-001114	FILTER-EMI SMD	25VDC,2.0ADC,-,100nF,3.2x1.6x1	

Loc. No.	Code No.	Description	Specification	Remarks
FT601	2901-001114	FILTER-EMI SMD	25VDC,2.0ADC,-,100nF,3.2x1.6x1	
FT602	2901-001114	FILTER-EMI SMD	25VDC,2.0ADC,-,100nF,3.2x1.6x1	
FT603	2901-001114	FILTER-EMI SMD	25VDC,2.0ADC,-,100nF,3.2x1.6x1	
FT604	2901-001114	FILTER-EMI SMD	25VDC,2.0ADC,-,100nF,3.2x1.6x1	
FT605	2901-001114	FILTER-EMI SMD	25VDC,2.0ADC,-,100nF,3.2x1.6x1	
FT606	2901-001114	FILTER-EMI SMD	25VDC,2.0ADC,-,100nF,3.2x1.6x1	
FT607	2901-001114	FILTER-EMI SMD	25VDC,2.0ADC,-,100nF,3.2x1.6x1	
FT700	2901-001114	FILTER-EMI SMD	25VDC,2.0ADC,-,100nF,3.2x1.6x1	
FT701	2901-001114	FILTER-EMI SMD	25VDC,2.0ADC,-,100nF,3.2x1.6x1	
FT702	2901-001114	FILTER-EMI SMD	25VDC,2.0ADC,-,100nF,3.2x1.6x1	
FT703	2901-001114	FILTER-EMI SMD	25VDC,2.0ADC,-,100nF,3.2x1.6x1	
FT800	3301-001145	CORE-FERRITE BEAD	AB,4.5x1.6x1.6mm,-,-	SNA
FT801	3301-001145	CORE-FERRITE BEAD	AB,4.5x1.6x1.6mm,-,-	SNA
FT802	3301-001145	CORE-FERRITE BEAD	AB,4.5x1.6x1.6mm,-,-	SNA
FT803	3301-001145	CORE-FERRITE BEAD	AB,4.5x1.6x1.6mm,-,-	SNA
FT804	3301-001145	CORE-FERRITE BEAD	AB,4.5x1.6x1.6mm,-,-	SNA
FT805	3301-001145	CORE-FERRITE BEAD	AB,4.5x1.6x1.6mm,-,-	SNA
FT806	3301-001145	CORE-FERRITE BEAD	AB,4.5x1.6x1.6mm,-,-	SNA
FT807	3301-001145	CORE-FERRITE BEAD	AB,4.5x1.6x1.6mm,-,-	SNA
FT808	3301-001145	CORE-FERRITE BEAD	AB,4.5x1.6x1.6mm,-,-	SNA
FT809	3301-001145	CORE-FERRITE BEAD	AB,4.5x1.6x1.6mm,-,-	SNA
FT810	3301-001145	CORE-FERRITE BEAD	AB,4.5x1.6x1.6mm,-,-	SNA
FT811	3301-001145	CORE-FERRITE BEAD	AB,4.5x1.6x1.6mm,-,-	SNA
FT812	3301-001145	CORE-FERRITE BEAD	AB,4.5x1.6x1.6mm,-,-	SNA
FT813	3301-001145	CORE-FERRITE BEAD	AB,4.5x1.6x1.6mm,-,-	SNA
FT814	3301-001145	CORE-FERRITE BEAD	AB,4.5x1.6x1.6mm,-,-	SNA
FT815	2901-001114	FILTER-EMI SMD	25VDC,2.0ADC,-,100nF,3.2x1.6x1	
IC101	1203-002067	IC-POSI.FIXED REG.	3330,SOT-23,6P,65MIL,PLASTIC,3.284/3.316V,-,-40to+125C,200mA,-,TP	
IC102	1203-002067	IC-POSI.FIXED REG.	3330,SOT-23,6P,65MIL,PLASTIC,3.284/3.316V,-,-40to+125C,200mA,-,TP	
IC103	1001-001082	IC-VIDEO SWITCH	BA7657F,-,SOP,24P,300MIL,SINGL	
IC104	1002-001292	IC-A/D CONVERTER	AD9883AKST-110,8BITS,QFP,80P,551MIL,°æ0.5LSB,TR,CMOS,PLASTIC,3.3V,-25to+85C,650M	
IC105	0801-002559	IC-CMOS LOGIC	74LVX74,D FLIP-FLOP,TSSOP,14P,173MIL,DUAL,TP,PLASTIC,-,-,0.36V,-40to+85C,180mW,2	
IC107	1203-001816	IC-POSI.FIXED REG.	78M08,TO-252,3P,-,PLASTIC,7.7/8.3V,1.0W,-40TO+85C,0.5A,-,TP	
IC108	1204-001675	IC-SOUND PROCESSOR	MSP3451G,QFP,80P,-,PLASTIC,9V,1000mW,0to+70C,TR,Multistandard Sound	
IC200	1203-002067	IC-POSI.FIXED REG.	3330,SOT-23,6P,65MIL,PLASTIC,3.284/3.316V,-,-40to+125C,200mA,-,TP	
IC201	1203-002067	IC-POSI.FIXED REG.	3330,SOT-23,6P,65MIL,PLASTIC,3.284/3.316V,-,-40to+125C,200mA,-,TP	
IC202	1103-001164	IC-EEPROM	24LC21A,128x8BIT,SOP,8P,150MIL,-,5V,10%,PLASTIC,0 TO +70C,100UA,CMOS,TP	
IC203	1002-001204	IC-A/D CONVERTER	AD9884AKS-140,8BIT,QFP,128P,-,°æ0.5LSB,TR,CMOS,PLASTIC,4V,0to+70C,570mW,Flat Pan	
IC204	1204-001725	IC-SIGNAL PROCESSOR	BA7078AF,SOP,18P,210MIL,PLASTIC,5.25V,450mW,-25to+75C,TP,SYNC SIGNAL PROCESSO	
IC205	0801-002171	IC-CMOS LOGIC	74LCX125,BUS BUFFER,SOP,14P,15	
IC206	1002-001204	IC-A/D CONVERTER	AD9884AKS-140,8BIT,QFP,128P,-,°æ0.5LSB,TR,CMOS,PLASTIC,4V,0to+70C,570mW,Flat Pan	
IC207	0801-002267	IC-CMOS LOGIC	74LCX14,-,SOIC,14P,150MIL,-,TP,-,-,3.6V,-40TO+85C,-,5.5V,-,-,24MA	
IC208	0801-002171	IC-CMOS LOGIC	74LCX125,BUS BUFFER,SOP,14P,15	
IC209	1203-002067	IC-POSI.FIXED REG.	3330,SOT-23,6P,65MIL,PLASTIC,3.284/3.316V,-,-40to+125C,200mA,-,TP	
IC210	1203-002067	IC-POSI.FIXED REG.	3330,SOT-23,6P,65MIL,PLASTIC,3.284/3.316V,-,-40to+125C,200mA,-,TP	
IC301	1204-001926	IC-VIDEO PROCESS	VPC3230D-C5,PQFP,80P,-,PLASTIC,6V,-,0 TO 65C,TP,VPC3230D-C5	
IC302	1001-001146	IC-ANALOG SWITCH	FST3257,BUS SWITCH & CMOS,SOP,16P,150MIL,QUAD,5.5V,-40to+85C,PLASTIC,-,15ohm,-,-	
IC303	1203-001009	IC-SWITCH REG.	3172,SOP,8P,244MIL,PLASTIC,1.8	
IC304	1204-001388	IC-DECODER	Z86129,SOP,18P,-,PLASTIC,6.0V,	
IC305	1001-001146	IC-ANALOG SWITCH	FST3257,BUS SWITCH & CMOS,SOP,16P,150MIL,QUAD,5.5V,-40to+85C,PLASTIC,-,15ohm,-,-	
IC306	1105-001336	IC-DRAM	45B43232,512Kx32x4Bit,TSOP,86P,400MIL,60nS,3.3V,10%,PLASTIC,0to+70C,2mA,CMOS,TP	
IC307	1001-001190	IC-ANALOG SWITCH	FST16233MTD,BUS SWITCH,TSSOP,56P,240MIL,-,5.5V,-40TO+85C,PLASTIC,-,200HM,8.5NS,7	
IC308	1003-001391	IC-DISPLAY DRIVER	FLI2200,QFP,176P,945MIL,-,TR,PLASTIC,5.5V,-40TO+85C,1.75W,-,DISPLAY SUPPORT	
IC309	1003-001420	IC-DISPLAY DRIVER	FLI2220,TQFP,160P,1102MIL,-,TR,PLASTIC,5.5V,-40TO+85C,1.75W,0.4V,DISPLAY SUPPO	
IC400	1203-001559	IC-RESET	DS1834,SOIC,8P,150MIL,-,1.2/5V	

Loc. No.	Code No.	Description	Specification	Remarks
IC401	1103-000138	IC-EEPROM	24C16,2Kx8BIT,SOP,8P,150MIL,10	
IC402	0903-001202	IC-MICROCONTROLLER	8025162,88it,PLCC,44P,853MIL,24MHz,TR,CMOS,PLASTIC,5V,1.5W,0to+70C,1KBYTE,-,24Bi	SNA
IC403	0801-002559	IC-CMOS LOGIC	74LVX74,D FLIP-FLOP,TSSOP,14P,173MIL,DUAL,TP,PLASTIC,-,0.36V,-40to+85C,180mW,2	
IC405	0801-002576	IC-CMOS LOGIC	74LVX373,LATCH,SOP,20P,300MIL,OCTAL,TP,PLASTIC,3-STATE,-,0.36V,-40to+85C,180mW,2	
IC406	0801-002574	IC-CMOS LOGIC	74LVX04,INVERTER,SOP,14P,150MIL,HEX,TP,PLASTIC,-,0.36V,-40to+85C,180mW,2.4V,20	
IC407	0801-002268	IC-CMOS LOGIC	74VHC139,DECODER,SOP,16P,150MI	
IC408	0801-002394	IC-CMOS LOGIC	74LCX32,OR GATE,SOIC,14P,150MI	
IC409	0801-002394	IC-CMOS LOGIC	74LCX32,OR GATE,SOIC,14P,150MI	
IC500	1105-001336	IC-DRAM	4S643232,512Kx32x4Bit,TSOP,86P,400MIL,60nS,3.3V,10%,PLASTIC,0to+70C,2mA,CMOS,TP	
IC501	1105-001336	IC-DRAM	4S643232,512Kx32x4Bit,TSOP,86P,400MIL,60nS,3.3V,10%,PLASTIC,0to+70C,2mA,CMOS,TP	
IC502	1205-002005	IC-LCD CONTROLLER	JAG200MXHD,PBGA,388P,-,PALSTIC,4.6V,2.5W,-,TR,DIGITAL DISPLAY PRO.	
IC503	0801-002267	IC-CMOS LOGIC	74LCX14,-,SOIC,14P,150MIL,-,TP,-,-,3.6V,-40TO+85C,-,5.5V,-,-,24MA	
IC600	1205-002005	IC-LCD CONTROLLER	JAG200MXHD,PBGA,388P,-,PALSTIC,4.6V,2.5W,-,TR,DIGITAL DISPLAY PRO.	
IC601	1105-001336	IC-DRAM	4S643232,512Kx32x4Bit,TSOP,86P,400MIL,60nS,3.3V,10%,PLASTIC,0to+70C,2mA,CMOS,TP	
IC602	1105-001336	IC-DRAM	4S643232,512Kx32x4Bit,TSOP,86P,400MIL,60nS,3.3V,10%,PLASTIC,0to+70C,2mA,CMOS,TP	
IC700	1002-001177	IC-D/A CONVERTER	AD5301B,8BIT,SOT-23,6P,63MIL,+0.25LSB,TP,-,PLASTIC,TV,-40TO+105C,240MW,8-BIT DA	
IC701	1205-001870	IC-TRANSMITTER	DS90C387VJD,QFP,100P,550MIL,PLASTIC,3.6V,2.8W,-,10to+70C,TR,Dual Pixel LVDS	
IC800	1203-002411	IC-POSI.FIXED REG.	IRU1030-33CM,TO-263,3P,-,PLASTIC,3.267/3.333V,-,OTO+150C,-,-,ST	
IC801	1203-002411	IC-POSI.FIXED REG.	IRU1030-33CM,TO-263,3P,-,PLASTIC,3.267/3.333V,-,OTO+150C,-,-,ST	
IC804	1203-001465	IC-POSI.ADJUST REG.	317,TO-263,3P,-,PLASTIC,1.2/37	
IC805	1203-002411	IC-POSI.FIXED REG.	IRU1030-33CM,TO-263,3P,-,PLASTIC,3.267/3.333V,-,OTO+150C,-,-,ST	
IC806	1203-001465	IC-POSI.ADJUST REG.	317,TO-263,3P,-,PLASTIC,1.2/37	
IC807	1203-001465	IC-POSI.ADJUST REG.	317,TO-263,3P,-,PLASTIC,1.2/37	
IC808	1203-001448	IC-POSI.FIXED REG.	2596,TO-263,5P,-,PLASTIC,4.750	
IC810	1203-001488	IC-POSI.FIXED REG.	7805,TO-252,3P,-,PLASTIC,4.8/5	
IC811	1203-001488	IC-POSI.FIXED REG.	7805,TO-252,3P,-,PLASTIC,4.8/5	
IC812	1203-002067	IC-POSI.FIXED REG.	3330,SOT-23,6P,65MIL,PLASTIC,3.284/3.316V,-,40to+125C,200mA,-,TP	
IC813	1203-002199	IC-POSI.FIXED REG.	LM2596,TO-263,5P,340MIL,PALSTIC,-,-,40TO+125C,-,-,ST	
IC815	1203-001448	IC-POSI.FIXED REG.	2596,TO-263,5P,-,PLASTIC,4.750	
IC816	1203-001448	IC-POSI.FIXED REG.	2596,TO-263,5P,-,PLASTIC,4.750	
IC817	1203-001488	IC-POSI.FIXED REG.	7805,TO-252,3P,-,PLASTIC,4.8/5	
L101	2703-000398	INDUCTOR-SMD	10uH,10%,3.2x2.5x2.2mm	
L102	2703-000398	INDUCTOR-SMD	10uH,10%,3.2x2.5x2.2mm	
L103	2703-000398	INDUCTOR-SMD	10uH,10%,3.2x2.5x2.2mm	
L104	2703-000398	INDUCTOR-SMD	10uH,10%,3.2x2.5x2.2mm	
L105	2703-000398	INDUCTOR-SMD	10uH,10%,3.2x2.5x2.2mm	
L106	2703-000398	INDUCTOR-SMD	10uH,10%,3.2x2.5x2.2mm	
L107	2703-001778	INDUCTOR-SMD	3.3UH,20%,3.2X2.5X2.2MM	
L108	2703-001778	INDUCTOR-SMD	3.3UH,20%,3.2X2.5X2.2MM	
L109	2703-001778	INDUCTOR-SMD	3.3UH,20%,3.2X2.5X2.2MM	
L110	2703-000398	INDUCTOR-SMD	10uH,10%,3.2x2.5x2.2mm	
L111	2703-000398	INDUCTOR-SMD	10uH,10%,3.2x2.5x2.2mm	
L301	2703-001778	INDUCTOR-SMD	3.3UH,20%,3.2X2.5X2.2MM	
L302	2703-000398	INDUCTOR-SMD	10uH,10%,3.2x2.5x2.2mm	
L303	2703-000398	INDUCTOR-SMD	10uH,10%,3.2x2.5x2.2mm	
L304	2703-001778	INDUCTOR-SMD	3.3UH,20%,3.2X2.5X2.2MM	
L307	2703-001778	INDUCTOR-SMD	3.3UH,20%,3.2X2.5X2.2MM	
L310	2703-000398	INDUCTOR-SMD	10uH,10%,3.2x2.5x2.2mm	
L311	2703-000398	INDUCTOR-SMD	10uH,10%,3.2x2.5x2.2mm	
L312	2703-000398	INDUCTOR-SMD	10uH,10%,3.2x2.5x2.2mm	
L313	2703-000398	INDUCTOR-SMD	10uH,10%,3.2x2.5x2.2mm	
L400	2703-001778	INDUCTOR-SMD	3.3UH,20%,3.2X2.5X2.2MM	
MP1.0	BN41-00142A	PCB MAIN	RS21NS,FR4,6L,-,1.6,305*220*106,RS21NS,-,-,-	
Q100	0501-000462	TR-SMALL SIGNAL	MMBT2907A,PNP,350MW,SOT-23,TP,50-300	
Q101	0501-002080	TR-SMALL SIGNAL	2SC2412K,NPN,200mW,SC-59,TP,120-270	

Loc. No.	Code No.	Description	Specification	Remarks
Q301	0501-002080	TR-SMALL SIGNAL	2SC2412K,NPN,200mW,SC-59,TP,120-270	
Q400	0501-002080	TR-SMALL SIGNAL	2SC2412K,NPN,200mW,SC-59,TP,120-270	
Q800	0501-002080	TR-SMALL SIGNAL	2SC2412K,NPN,200mW,SC-59,TP,120-270	
Q801	0501-002080	TR-SMALL SIGNAL	2SC2412K,NPN,200mW,SC-59,TP,120-270	
Q802	0501-002080	TR-SMALL SIGNAL	2SC2412K,NPN,200mW,SC-59,TP,120-270	
Q803	0501-002080	TR-SMALL SIGNAL	2SC2412K,NPN,200mW,SC-59,TP,120-270	
Q804	0501-002080	TR-SMALL SIGNAL	2SC2412K,NPN,200mW,SC-59,TP,120-270	
Q805	0501-002080	TR-SMALL SIGNAL	2SC2412K,NPN,200mW,SC-59,TP,120-270	
R101	2007-000102	R-CHIP	100Kohm,5%,1/16W,DA,TP,1608	
R102	2007-000133	R-CHIP	330Kohm,5%,1/16W,DA,TP,1608	
R103	2007-000102	R-CHIP	100Kohm,5%,1/16W,DA,TP,1608	
R104	2007-000133	R-CHIP	330Kohm,5%,1/16W,DA,TP,1608	
R105	2007-000070	R-CHIP	0ohm,5%,1/16W,DA,TP,1608	
R106	2007-000070	R-CHIP	0ohm,5%,1/16W,DA,TP,1608	
R107	2007-000070	R-CHIP	0ohm,5%,1/16W,DA,TP,1608	
R108	2007-000070	R-CHIP	0ohm,5%,1/16W,DA,TP,1608	
R109	2007-000113	R-CHIP	33ohm,5%,1/16W,DA,TP,1608	
R110	2007-000113	R-CHIP	33ohm,5%,1/16W,DA,TP,1608	
R111	2007-000113	R-CHIP	33ohm,5%,1/16W,DA,TP,1608	
R112	2007-000090	R-CHIP	10KOHM,5%,1/16W,DA,TP,1608	
R113	2007-001167	R-CHIP	75ohm,5%,1/16W,DA,TP,1608	
R114	2007-001167	R-CHIP	75ohm,5%,1/16W,DA,TP,1608	
R115	2007-001167	R-CHIP	75ohm,5%,1/16W,DA,TP,1608	
R116	2007-000074	R-CHIP	100ohm,5%,1/16W,DA,TP,1608	
R117	2007-000074	R-CHIP	100ohm,5%,1/16W,DA,TP,1608	
R118	2007-000070	R-CHIP	0ohm,5%,1/16W,DA,TP,1608	
R120	2007-000070	R-CHIP	0ohm,5%,1/16W,DA,TP,1608	
R121	2007-000074	R-CHIP	100ohm,5%,1/16W,DA,TP,1608	
R122	2007-000070	R-CHIP	0ohm,5%,1/16W,DA,TP,1608	
R123	2007-000090	R-CHIP	10KOHM,5%,1/16W,DA,TP,1608	
R124	2007-000070	R-CHIP	0ohm,5%,1/16W,DA,TP,1608	
R125	2007-000070	R-CHIP	0ohm,5%,1/16W,DA,TP,1608	
R126	2007-000070	R-CHIP	0ohm,5%,1/16W,DA,TP,1608	
R127	2007-000113	R-CHIP	33ohm,5%,1/16W,DA,TP,1608	
R128	2007-000113	R-CHIP	33ohm,5%,1/16W,DA,TP,1608	
R129	2007-000113	R-CHIP	33ohm,5%,1/16W,DA,TP,1608	
R130	2007-000082	R-CHIP	3.3Kohm,5%,1/16W,DA,TP,1608	
R131	2007-001167	R-CHIP	75ohm,5%,1/16W,DA,TP,1608	
R132	2007-001167	R-CHIP	75ohm,5%,1/16W,DA,TP,1608	
R133	2007-001167	R-CHIP	75ohm,5%,1/16W,DA,TP,1608	
R135	2007-000074	R-CHIP	100ohm,5%,1/16W,DA,TP,1608	
R137	2007-000078	R-CHIP	1Kohm,5%,1/16W,DA,TP,1608	
R138	2007-000102	R-CHIP	100Kohm,5%,1/16W,DA,TP,1608	
R139	2007-000102	R-CHIP	100Kohm,5%,1/16W,DA,TP,1608	
R141	2007-000074	R-CHIP	100ohm,5%,1/16W,DA,TP,1608	
R143	2007-000078	R-CHIP	1Kohm,5%,1/16W,DA,TP,1608	
R144	2007-000082	R-CHIP	3.3Kohm,5%,1/16W,DA,TP,1608	
R145	2007-000090	R-CHIP	10KOHM,5%,1/16W,DA,TP,1608	
R147	2007-000078	R-CHIP	1Kohm,5%,1/16W,DA,TP,1608	
R149	2007-000078	R-CHIP	1Kohm,5%,1/16W,DA,TP,1608	
R151	2007-000078	R-CHIP	1Kohm,5%,1/16W,DA,TP,1608	
R153	2007-000078	R-CHIP	1Kohm,5%,1/16W,DA,TP,1608	
R155	2007-000074	R-CHIP	100ohm,5%,1/16W,DA,TP,1608	
R156	2007-000078	R-CHIP	1Kohm,5%,1/16W,DA,TP,1608	
R157	2007-000074	R-CHIP	100ohm,5%,1/16W,DA,TP,1608	

Loc. No.	Code No.	Description	Specification	Remarks
R158	2007-000074	R-CHIP	100ohm,5%,1/16W,DA,TP,1608	
R159	2007-000078	R-CHIP	1Kohm,5%,1/16W,DA,TP,1608	
R160	2007-000074	R-CHIP	100ohm,5%,1/16W,DA,TP,1608	
R162	2007-001167	R-CHIP	75ohm,5%,1/16W,DA,TP,1608	
R163	2007-001167	R-CHIP	75ohm,5%,1/16W,DA,TP,1608	
R164	2007-001167	R-CHIP	75ohm,5%,1/16W,DA,TP,1608	
R165	2007-000078	R-CHIP	1Kohm,5%,1/16W,DA,TP,1608	
R166	2007-000074	R-CHIP	100ohm,5%,1/16W,DA,TP,1608	
R167	2007-000074	R-CHIP	100ohm,5%,1/16W,DA,TP,1608	
R168	2007-000084	R-CHIP	4.7Kohm,5%,1/16W,DA,TP,1608	
R169	2007-000078	R-CHIP	1Kohm,5%,1/16W,DA,TP,1608	
R170	2007-000078	R-CHIP	1Kohm,5%,1/16W,DA,TP,1608	
R200	2007-000102	R-CHIP	100Kohm,5%,1/16W,DA,TP,1608	
R201	2007-000133	R-CHIP	330Kohm,5%,1/16W,DA,TP,1608	
R202	2007-000102	R-CHIP	100Kohm,5%,1/16W,DA,TP,1608	
R203	2007-000133	R-CHIP	330Kohm,5%,1/16W,DA,TP,1608	
R204	2007-000090	R-CHIP	10KOHM,5%,1/16W,DA,TP,1608	
R205	2007-000090	R-CHIP	10KOHM,5%,1/16W,DA,TP,1608	
R206	2007-000090	R-CHIP	10KOHM,5%,1/16W,DA,TP,1608	
R207	2007-000074	R-CHIP	100ohm,5%,1/16W,DA,TP,1608	
R208	2007-000074	R-CHIP	100ohm,5%,1/16W,DA,TP,1608	
R209	2007-000071	R-CHIP	22ohm,5%,1/16W,DA,TP,1608	
R210	2007-000074	R-CHIP	100ohm,5%,1/16W,DA,TP,1608	
R211	2007-000074	R-CHIP	100ohm,5%,1/16W,DA,TP,1608	
R212	2007-000074	R-CHIP	100ohm,5%,1/16W,DA,TP,1608	
R213	2007-000078	R-CHIP	1Kohm,5%,1/16W,DA,TP,1608	
R214	2007-000078	R-CHIP	1Kohm,5%,1/16W,DA,TP,1608	
R215	2007-000082	R-CHIP	3.3Kohm,5%,1/16W,DA,TP,1608	
R216	2007-000090	R-CHIP	10KOHM,5%,1/16W,DA,TP,1608	
R217	2007-000074	R-CHIP	100ohm,5%,1/16W,DA,TP,1608	
R218	2007-000090	R-CHIP	10KOHM,5%,1/16W,DA,TP,1608	
R219	2007-000074	R-CHIP	100ohm,5%,1/16W,DA,TP,1608	
R220	2007-000090	R-CHIP	10KOHM,5%,1/16W,DA,TP,1608	
R221	2007-000090	R-CHIP	10KOHM,5%,1/16W,DA,TP,1608	
R222	2007-000090	R-CHIP	10KOHM,5%,1/16W,DA,TP,1608	
R223	2007-001167	R-CHIP	75ohm,5%,1/16W,DA,TP,1608	
R224	2007-001167	R-CHIP	75ohm,5%,1/16W,DA,TP,1608	
R225	2007-001167	R-CHIP	75ohm,5%,1/16W,DA,TP,1608	
R226	2007-000071	R-CHIP	22ohm,5%,1/16W,DA,TP,1608	
R227	2007-000090	R-CHIP	10KOHM,5%,1/16W,DA,TP,1608	
R228	2007-000071	R-CHIP	22ohm,5%,1/16W,DA,TP,1608	
R229	2007-000071	R-CHIP	22ohm,5%,1/16W,DA,TP,1608	
R230	2007-000071	R-CHIP	22ohm,5%,1/16W,DA,TP,1608	
R231	2007-000070	R-CHIP	0ohm,5%,1/16W,DA,TP,1608	
R232	2007-000070	R-CHIP	0ohm,5%,1/16W,DA,TP,1608	
R233	2007-000071	R-CHIP	22ohm,5%,1/16W,DA,TP,1608	
R234	2007-000074	R-CHIP	100ohm,5%,1/16W,DA,TP,1608	
R235	2007-000109	R-CHIP	1Mohm,5%,1/16W,DA,TP,1608	
R236	2007-000125	R-CHIP	3.9Kohm,5%,1/16W,DA,TP,1608	
R237	2007-000082	R-CHIP	3.3Kohm,5%,1/16W,DA,TP,1608	
R238	2007-000090	R-CHIP	10KOHM,5%,1/16W,DA,TP,1608	
R239	2007-000074	R-CHIP	100ohm,5%,1/16W,DA,TP,1608	
R240	2007-000090	R-CHIP	10KOHM,5%,1/16W,DA,TP,1608	
R241	2007-000074	R-CHIP	100ohm,5%,1/16W,DA,TP,1608	
R242	2007-000090	R-CHIP	10KOHM,5%,1/16W,DA,TP,1608	

Loc. No.	Code No.	Description	Specification	Remarks
R243	2007-000090	R-CHIP	10KOHM,5%,1/16W,DA,TP,1608	
R244	2007-000090	R-CHIP	10KOHM,5%,1/16W,DA,TP,1608	
R245	2007-000074	R-CHIP	100ohm,5%,1/16W,DA,TP,1608	
R246	2007-000071	R-CHIP	22ohm,5%,1/16W,DA,TP,1608	
R247	2007-000071	R-CHIP	22ohm,5%,1/16W,DA,TP,1608	
R248	2007-000090	R-CHIP	10KOHM,5%,1/16W,DA,TP,1608	
R249	2007-000071	R-CHIP	22ohm,5%,1/16W,DA,TP,1608	
R250	2007-000071	R-CHIP	22ohm,5%,1/16W,DA,TP,1608	
R251	2007-000071	R-CHIP	22ohm,5%,1/16W,DA,TP,1608	
R252	2007-000102	R-CHIP	100Kohm,5%,1/16W,DA,TP,1608	
R253	2007-000133	R-CHIP	330Kohm,5%,1/16W,DA,TP,1608	
R254	2007-000102	R-CHIP	100Kohm,5%,1/16W,DA,TP,1608	
R255	2007-000133	R-CHIP	330Kohm,5%,1/16W,DA,TP,1608	
R301	2007-000084	R-CHIP	4.7Kohm,5%,1/16W,DA,TP,1608	
R302	2007-000072	R-CHIP	47ohm,5%,1/16W,DA,TP,1608	
R303	2007-000074	R-CHIP	100ohm,5%,1/16W,DA,TP,1608	
R304	2007-000074	R-CHIP	100ohm,5%,1/16W,DA,TP,1608	
R305	2007-000074	R-CHIP	100ohm,5%,1/16W,DA,TP,1608	
R307	2007-001167	R-CHIP	75ohm,5%,1/16W,DA,TP,1608	
R308	2007-000090	R-CHIP	10KOHM,5%,1/16W,DA,TP,1608	
R309	2007-000074	R-CHIP	100ohm,5%,1/16W,DA,TP,1608	
R310	2007-000074	R-CHIP	100ohm,5%,1/16W,DA,TP,1608	
R311	2007-001167	R-CHIP	75ohm,5%,1/16W,DA,TP,1608	
R312	2007-001167	R-CHIP	75ohm,5%,1/16W,DA,TP,1608	
R313	2007-001167	R-CHIP	75ohm,5%,1/16W,DA,TP,1608	
R314	2007-000074	R-CHIP	100ohm,5%,1/16W,DA,TP,1608	
R315	2007-000092	R-CHIP	15Kohm,5%,1/16W,DA,TP,1608	
R316	2007-000074	R-CHIP	100ohm,5%,1/16W,DA,TP,1608	
R317	2007-001167	R-CHIP	75ohm,5%,1/16W,DA,TP,1608	
R318	2007-000074	R-CHIP	100ohm,5%,1/16W,DA,TP,1608	
R319	2007-000078	R-CHIP	1Kohm,5%,1/16W,DA,TP,1608	
R320	2007-000094	R-CHIP	22Kohm,5%,1/16W,DA,TP,1608	
R321	2007-000074	R-CHIP	100ohm,5%,1/16W,DA,TP,1608	
R323	2007-000074	R-CHIP	100ohm,5%,1/16W,DA,TP,1608	
R324	2007-000074	R-CHIP	100ohm,5%,1/16W,DA,TP,1608	
R325	2007-000074	R-CHIP	100ohm,5%,1/16W,DA,TP,1608	
R326	2007-000074	R-CHIP	100ohm,5%,1/16W,DA,TP,1608	
R327	2007-001167	R-CHIP	75ohm,5%,1/16W,DA,TP,1608	
R328	2007-001167	R-CHIP	75ohm,5%,1/16W,DA,TP,1608	
R329	2007-001167	R-CHIP	75ohm,5%,1/16W,DA,TP,1608	
R330	2007-001167	R-CHIP	75ohm,5%,1/16W,DA,TP,1608	
R331	2007-000078	R-CHIP	1Kohm,5%,1/16W,DA,TP,1608	
R332	2007-000078	R-CHIP	1Kohm,5%,1/16W,DA,TP,1608	
R333	2007-000078	R-CHIP	1Kohm,5%,1/16W,DA,TP,1608	
R334	2007-000078	R-CHIP	1Kohm,5%,1/16W,DA,TP,1608	
R335	2007-000078	R-CHIP	1Kohm,5%,1/16W,DA,TP,1608	
R336	2007-000078	R-CHIP	1Kohm,5%,1/16W,DA,TP,1608	
R337	2007-000078	R-CHIP	1Kohm,5%,1/16W,DA,TP,1608	
R338	2007-000074	R-CHIP	100ohm,5%,1/16W,DA,TP,1608	
R339	2007-000074	R-CHIP	100ohm,5%,1/16W,DA,TP,1608	
R340	2007-000077	R-CHIP	470ohm,5%,1/16W,DA,TP,1608	
R341	2007-000084	R-CHIP	4.7Kohm,5%,1/16W,DA,TP,1608	
R342	2007-000084	R-CHIP	4.7Kohm,5%,1/16W,DA,TP,1608	
R343	2007-000084	R-CHIP	4.7Kohm,5%,1/16W,DA,TP,1608	
R344	2007-000090	R-CHIP	10KOHM,5%,1/16W,DA,TP,1608	

Loc. No.	Code No.	Description	Specification	Remarks
R345	2007-000129	R-CHIP	27Kohm,5%,1/16W,DA,TP,1608	
R346	2007-000074	R-CHIP	100ohm,5%,1/16W,DA,TP,1608	
R347	2007-000074	R-CHIP	100ohm,5%,1/16W,DA,TP,1608	
R348	2007-000074	R-CHIP	100ohm,5%,1/16W,DA,TP,1608	
R349	2007-000074	R-CHIP	100ohm,5%,1/16W,DA,TP,1608	
R353	2007-000074	R-CHIP	100ohm,5%,1/16W,DA,TP,1608	
R354	2007-000125	R-CHIP	3.9Kohm,5%,1/16W,DA,TP,1608	
R355	2007-000078	R-CHIP	1Kohm,5%,1/16W,DA,TP,1608	
R356	2007-001213	R-CHIP	820HM,1%,1/10W,DA,TP,2012	SNA
R357	2007-000122	R-CHIP	1.2Kohm,5%,1/16W,DA,TP,1608	
R364	2007-001167	R-CHIP	75ohm,5%,1/16W,DA,TP,1608	
R365	2007-000084	R-CHIP	4.7Kohm,5%,1/16W,DA,TP,1608	
R366	2007-000090	R-CHIP	10KOHM,5%,1/16W,DA,TP,1608	
R367	2007-000090	R-CHIP	10KOHM,5%,1/16W,DA,TP,1608	
R368	2007-000090	R-CHIP	10KOHM,5%,1/16W,DA,TP,1608	
R369	2007-000071	R-CHIP	22ohm,5%,1/16W,DA,TP,1608	
R370	2007-000071	R-CHIP	22ohm,5%,1/16W,DA,TP,1608	
R371	2007-000071	R-CHIP	22ohm,5%,1/16W,DA,TP,1608	
R372	2007-000071	R-CHIP	22ohm,5%,1/16W,DA,TP,1608	
R373	2007-000071	R-CHIP	22ohm,5%,1/16W,DA,TP,1608	
R374	2007-000071	R-CHIP	22ohm,5%,1/16W,DA,TP,1608	
R375	2007-000070	R-CHIP	0ohm,5%,1/16W,DA,TP,1608	
R376	2007-000070	R-CHIP	0ohm,5%,1/16W,DA,TP,1608	
R377	2007-000084	R-CHIP	4.7Kohm,5%,1/16W,DA,TP,1608	
R378	2007-000084	R-CHIP	4.7Kohm,5%,1/16W,DA,TP,1608	
R379	2007-000084	R-CHIP	4.7Kohm,5%,1/16W,DA,TP,1608	
R380	2007-000084	R-CHIP	4.7Kohm,5%,1/16W,DA,TP,1608	
R381	2007-000084	R-CHIP	4.7Kohm,5%,1/16W,DA,TP,1608	
R382	2007-000084	R-CHIP	4.7Kohm,5%,1/16W,DA,TP,1608	
R383	2007-000084	R-CHIP	4.7Kohm,5%,1/16W,DA,TP,1608	
R384	2007-000071	R-CHIP	22ohm,5%,1/16W,DA,TP,1608	
R385	2007-000071	R-CHIP	22ohm,5%,1/16W,DA,TP,1608	
R386	2007-000071	R-CHIP	22ohm,5%,1/16W,DA,TP,1608	
R387	2007-000071	R-CHIP	22ohm,5%,1/16W,DA,TP,1608	
R388	2007-000071	R-CHIP	22ohm,5%,1/16W,DA,TP,1608	
R389	2007-000084	R-CHIP	4.7Kohm,5%,1/16W,DA,TP,1608	
R390	2007-000084	R-CHIP	4.7Kohm,5%,1/16W,DA,TP,1608	
R391	2007-000084	R-CHIP	4.7Kohm,5%,1/16W,DA,TP,1608	
R392	2007-000071	R-CHIP	22ohm,5%,1/16W,DA,TP,1608	
R393	2007-000084	R-CHIP	4.7Kohm,5%,1/16W,DA,TP,1608	
R394	2007-000070	R-CHIP	0ohm,5%,1/16W,DA,TP,1608	
R400	2007-000084	R-CHIP	4.7Kohm,5%,1/16W,DA,TP,1608	
R401	2007-000090	R-CHIP	10KOHM,5%,1/16W,DA,TP,1608	
R402	2007-000070	R-CHIP	0ohm,5%,1/16W,DA,TP,1608	
R403	2007-000070	R-CHIP	0ohm,5%,1/16W,DA,TP,1608	
R404	2007-000092	R-CHIP	15Kohm,5%,1/16W,DA,TP,1608	
R405	2007-000070	R-CHIP	0ohm,5%,1/16W,DA,TP,1608	
R406	2007-000084	R-CHIP	4.7Kohm,5%,1/16W,DA,TP,1608	
R407	2007-000084	R-CHIP	4.7Kohm,5%,1/16W,DA,TP,1608	
R408	2007-000084	R-CHIP	4.7Kohm,5%,1/16W,DA,TP,1608	
R409	2007-000084	R-CHIP	4.7Kohm,5%,1/16W,DA,TP,1608	
R410	2007-000084	R-CHIP	4.7Kohm,5%,1/16W,DA,TP,1608	
R411	2007-000084	R-CHIP	4.7Kohm,5%,1/16W,DA,TP,1608	
R412	2007-000084	R-CHIP	4.7Kohm,5%,1/16W,DA,TP,1608	
R413	2007-000084	R-CHIP	4.7Kohm,5%,1/16W,DA,TP,1608	

Loc. No.	Code No.	Description	Specification	Remarks
R414	2007-000239	R-CHIP	1.5Kohm,1%,1/16W,DA,TP,1608	
R415	2007-000239	R-CHIP	1.5Kohm,1%,1/16W,DA,TP,1608	
R416	2007-000075	R-CHIP	220ohm,5%,1/16W,DA,TP,1608	
R417	2007-000075	R-CHIP	220ohm,5%,1/16W,DA,TP,1608	
R418	2007-000071	R-CHIP	22ohm,5%,1/16W,DA,TP,1608	
R419	2007-000071	R-CHIP	22ohm,5%,1/16W,DA,TP,1608	
R420	2007-000075	R-CHIP	220ohm,5%,1/16W,DA,TP,1608	
R421	2007-000075	R-CHIP	220ohm,5%,1/16W,DA,TP,1608	
R422	2007-000078	R-CHIP	1Kohm,5%,1/16W,DA,TP,1608	
R423	2007-000078	R-CHIP	1Kohm,5%,1/16W,DA,TP,1608	
R424	2007-000090	R-CHIP	10KOHM,5%,1/16W,DA,TP,1608	
R425	2007-000084	R-CHIP	4.7Kohm,5%,1/16W,DA,TP,1608	
R426	2007-000084	R-CHIP	4.7Kohm,5%,1/16W,DA,TP,1608	
R427	2007-000084	R-CHIP	4.7Kohm,5%,1/16W,DA,TP,1608	
R428	2007-000084	R-CHIP	4.7Kohm,5%,1/16W,DA,TP,1608	
R429	2007-000084	R-CHIP	4.7Kohm,5%,1/16W,DA,TP,1608	
R430	2007-000084	R-CHIP	4.7Kohm,5%,1/16W,DA,TP,1608	
R431	2007-000084	R-CHIP	4.7Kohm,5%,1/16W,DA,TP,1608	
R432	2007-000084	R-CHIP	4.7Kohm,5%,1/16W,DA,TP,1608	
R500	2007-000090	R-CHIP	10KOHM,5%,1/16W,DA,TP,1608	
R501	2007-000071	R-CHIP	22ohm,5%,1/16W,DA,TP,1608	
R502	2007-000090	R-CHIP	10KOHM,5%,1/16W,DA,TP,1608	
R503	2007-000084	R-CHIP	4.7Kohm,5%,1/16W,DA,TP,1608	
R504	2007-000090	R-CHIP	10KOHM,5%,1/16W,DA,TP,1608	
R505	2007-000071	R-CHIP	22ohm,5%,1/16W,DA,TP,1608	
R506	2007-000090	R-CHIP	10KOHM,5%,1/16W,DA,TP,1608	
R507	2007-000090	R-CHIP	10KOHM,5%,1/16W,DA,TP,1608	
R508	2007-000071	R-CHIP	22ohm,5%,1/16W,DA,TP,1608	
R509	2007-000071	R-CHIP	22ohm,5%,1/16W,DA,TP,1608	
R510	2007-000071	R-CHIP	22ohm,5%,1/16W,DA,TP,1608	
R511	2007-000071	R-CHIP	22ohm,5%,1/16W,DA,TP,1608	
R512	2007-000071	R-CHIP	22ohm,5%,1/16W,DA,TP,1608	
R513	2007-000071	R-CHIP	22ohm,5%,1/16W,DA,TP,1608	
R514	2007-000071	R-CHIP	22ohm,5%,1/16W,DA,TP,1608	
R515	2007-000071	R-CHIP	22ohm,5%,1/16W,DA,TP,1608	
R516	2007-000071	R-CHIP	22ohm,5%,1/16W,DA,TP,1608	
R517	2007-000071	R-CHIP	22ohm,5%,1/16W,DA,TP,1608	
R518	2007-000071	R-CHIP	22ohm,5%,1/16W,DA,TP,1608	
R519	2007-000071	R-CHIP	22ohm,5%,1/16W,DA,TP,1608	
R520	2007-000071	R-CHIP	22ohm,5%,1/16W,DA,TP,1608	
R521	2007-000071	R-CHIP	22ohm,5%,1/16W,DA,TP,1608	
R522	2007-000074	R-CHIP	100ohm,5%,1/16W,DA,TP,1608	
R523	2007-000071	R-CHIP	22ohm,5%,1/16W,DA,TP,1608	
R524	2007-000074	R-CHIP	100ohm,5%,1/16W,DA,TP,1608	
R525	2007-000071	R-CHIP	22ohm,5%,1/16W,DA,TP,1608	
R526	2007-000074	R-CHIP	100ohm,5%,1/16W,DA,TP,1608	
R527	2007-000074	R-CHIP	100ohm,5%,1/16W,DA,TP,1608	
R528	2007-000074	R-CHIP	100ohm,5%,1/16W,DA,TP,1608	
R529	2007-000074	R-CHIP	100ohm,5%,1/16W,DA,TP,1608	
R530	2007-000074	R-CHIP	100ohm,5%,1/16W,DA,TP,1608	
R531	2007-000074	R-CHIP	100ohm,5%,1/16W,DA,TP,1608	
R532	2007-000074	R-CHIP	100ohm,5%,1/16W,DA,TP,1608	
R533	2007-000074	R-CHIP	100ohm,5%,1/16W,DA,TP,1608	
R534	2007-000074	R-CHIP	100ohm,5%,1/16W,DA,TP,1608	
R535	2007-000074	R-CHIP	100ohm,5%,1/16W,DA,TP,1608	

Loc. No.	Code No.	Description	Specification	Remarks
R536	2007-000074	R-CHIP	100ohm,5%,1/16W,DA,TP,1608	
R537	2007-000071	R-CHIP	22ohm,5%,1/16W,DA,TP,1608	
R538	2007-000071	R-CHIP	22ohm,5%,1/16W,DA,TP,1608	
R539	2007-000071	R-CHIP	22ohm,5%,1/16W,DA,TP,1608	
R540	2007-000071	R-CHIP	22ohm,5%,1/16W,DA,TP,1608	
R541	2007-000071	R-CHIP	22ohm,5%,1/16W,DA,TP,1608	
R542	2007-000071	R-CHIP	22ohm,5%,1/16W,DA,TP,1608	
R543	2007-000084	R-CHIP	4.7Kohm,5%,1/16W,DA,TP,1608	
R544	2007-000071	R-CHIP	22ohm,5%,1/16W,DA,TP,1608	
R545	2007-000071	R-CHIP	22ohm,5%,1/16W,DA,TP,1608	
R548	2007-000071	R-CHIP	22ohm,5%,1/16W,DA,TP,1608	
R600	2007-000090	R-CHIP	10KOHM,5%,1/16W,DA,TP,1608	
R601	2007-000090	R-CHIP	10KOHM,5%,1/16W,DA,TP,1608	
R602	2007-000084	R-CHIP	4.7Kohm,5%,1/16W,DA,TP,1608	
R603	2007-000090	R-CHIP	10KOHM,5%,1/16W,DA,TP,1608	
R604	2007-000071	R-CHIP	22ohm,5%,1/16W,DA,TP,1608	
R605	2007-000090	R-CHIP	10KOHM,5%,1/16W,DA,TP,1608	
R606	2007-000090	R-CHIP	10KOHM,5%,1/16W,DA,TP,1608	
R607	2007-000071	R-CHIP	22ohm,5%,1/16W,DA,TP,1608	
R608	2007-000071	R-CHIP	22ohm,5%,1/16W,DA,TP,1608	
R609	2007-000071	R-CHIP	22ohm,5%,1/16W,DA,TP,1608	
R610	2007-000071	R-CHIP	22ohm,5%,1/16W,DA,TP,1608	
R611	2007-000071	R-CHIP	22ohm,5%,1/16W,DA,TP,1608	
R612	2007-000071	R-CHIP	22ohm,5%,1/16W,DA,TP,1608	
R613	2007-000071	R-CHIP	22ohm,5%,1/16W,DA,TP,1608	
R614	2007-000071	R-CHIP	22ohm,5%,1/16W,DA,TP,1608	
R615	2007-000084	R-CHIP	4.7Kohm,5%,1/16W,DA,TP,1608	
R616	2007-000071	R-CHIP	22ohm,5%,1/16W,DA,TP,1608	
R617	2007-000071	R-CHIP	22ohm,5%,1/16W,DA,TP,1608	
R620	2007-000071	R-CHIP	22ohm,5%,1/16W,DA,TP,1608	
R621	2007-000071	R-CHIP	22ohm,5%,1/16W,DA,TP,1608	
R622	2007-000071	R-CHIP	22ohm,5%,1/16W,DA,TP,1608	
R623	2007-000071	R-CHIP	22ohm,5%,1/16W,DA,TP,1608	
R624	2007-000071	R-CHIP	22ohm,5%,1/16W,DA,TP,1608	
R625	2007-000071	R-CHIP	22ohm,5%,1/16W,DA,TP,1608	
R626	2007-000071	R-CHIP	22ohm,5%,1/16W,DA,TP,1608	
R700	2007-000071	R-CHIP	22ohm,5%,1/16W,DA,TP,1608	
R701	2007-000074	R-CHIP	100ohm,5%,1/16W,DA,TP,1608	
R702	2007-000074	R-CHIP	100ohm,5%,1/16W,DA,TP,1608	
R703	2007-000071	R-CHIP	22ohm,5%,1/16W,DA,TP,1608	
R704	2007-000090	R-CHIP	10KOHM,5%,1/16W,DA,TP,1608	
R705	2007-000071	R-CHIP	22ohm,5%,1/16W,DA,TP,1608	
R706	2007-000090	R-CHIP	10KOHM,5%,1/16W,DA,TP,1608	
R707	2007-000090	R-CHIP	10KOHM,5%,1/16W,DA,TP,1608	
R708	2007-000090	R-CHIP	10KOHM,5%,1/16W,DA,TP,1608	
R709	2007-000071	R-CHIP	22ohm,5%,1/16W,DA,TP,1608	
R741	2007-000070	R-CHIP	0ohm,5%,1/16W,DA,TP,1608	
R742	2007-000070	R-CHIP	0ohm,5%,1/16W,DA,TP,1608	
R743	2007-000070	R-CHIP	0ohm,5%,1/16W,DA,TP,1608	
R744	2007-000070	R-CHIP	0ohm,5%,1/16W,DA,TP,1608	
R745	2007-000070	R-CHIP	0ohm,5%,1/16W,DA,TP,1608	
R746	2007-000070	R-CHIP	0ohm,5%,1/16W,DA,TP,1608	
R747	2007-000070	R-CHIP	0ohm,5%,1/16W,DA,TP,1608	
R748	2007-000070	R-CHIP	0ohm,5%,1/16W,DA,TP,1608	
R749	2007-000070	R-CHIP	0ohm,5%,1/16W,DA,TP,1608	

Loc. No.	Code No.	Description	Specification	Remarks
R750	2007-000070	R-CHIP	0ohm,5%,1/16W,DA,TP,1608	
R751	2007-000070	R-CHIP	0ohm,5%,1/16W,DA,TP,1608	
R752	2007-000070	R-CHIP	0ohm,5%,1/16W,DA,TP,1608	
R753	2007-000070	R-CHIP	0ohm,5%,1/16W,DA,TP,1608	
R754	2007-000070	R-CHIP	0ohm,5%,1/16W,DA,TP,1608	
R755	2007-000070	R-CHIP	0ohm,5%,1/16W,DA,TP,1608	
R756	2007-000070	R-CHIP	0ohm,5%,1/16W,DA,TP,1608	
R757	2007-000070	R-CHIP	0ohm,5%,1/16W,DA,TP,1608	
R802	2007-000084	R-CHIP	4.7Kohm,5%,1/16W,DA,TP,1608	
R805	2007-000084	R-CHIP	4.7Kohm,5%,1/16W,DA,TP,1608	
R806	2007-000084	R-CHIP	4.7Kohm,5%,1/16W,DA,TP,1608	
R807	2007-000122	R-CHIP	1.2Kohm,5%,1/16W,DA,TP,1608	
R808	2007-000102	R-CHIP	100Kohm,5%,1/16W,DA,TP,1608	
R811	2007-000084	R-CHIP	4.7Kohm,5%,1/16W,DA,TP,1608	
R812	2007-000077	R-CHIP	470ohm,5%,1/16W,DA,TP,1608	
R813	2007-000090	R-CHIP	10KOHM,5%,1/16W,DA,TP,1608	
R814	2007-000102	R-CHIP	100Kohm,5%,1/16W,DA,TP,1608	
R815	2007-000077	R-CHIP	470ohm,5%,1/16W,DA,TP,1608	
R816	2007-000102	R-CHIP	100Kohm,5%,1/16W,DA,TP,1608	
R817	2007-000090	R-CHIP	10KOHM,5%,1/16W,DA,TP,1608	
R818	2007-000102	R-CHIP	100Kohm,5%,1/16W,DA,TP,1608	
R819	2007-000309	R-CHIP	10ohm,5%,1/16W,DA,TP,1608	
R820	2007-000084	R-CHIP	4.7Kohm,5%,1/16W,DA,TP,1608	
R821	2007-000077	R-CHIP	470ohm,5%,1/16W,DA,TP,1608	
R822	2007-000077	R-CHIP	470ohm,5%,1/16W,DA,TP,1608	
R823	2007-000077	R-CHIP	470ohm,5%,1/16W,DA,TP,1608	
R824	2007-000077	R-CHIP	470ohm,5%,1/16W,DA,TP,1608	
R825	2007-000102	R-CHIP	100Kohm,5%,1/16W,DA,TP,1608	
R826	2007-000090	R-CHIP	10KOHM,5%,1/16W,DA,TP,1608	
R827	2007-000102	R-CHIP	100Kohm,5%,1/16W,DA,TP,1608	
R828	2007-000102	R-CHIP	100Kohm,5%,1/16W,DA,TP,1608	
R829	2007-000309	R-CHIP	10ohm,5%,1/16W,DA,TP,1608	
R830	2007-000084	R-CHIP	4.7Kohm,5%,1/16W,DA,TP,1608	
R831	2007-000102	R-CHIP	100Kohm,5%,1/16W,DA,TP,1608	
R833	2007-000090	R-CHIP	10KOHM,5%,1/16W,DA,TP,1608	
R834	2007-000102	R-CHIP	100Kohm,5%,1/16W,DA,TP,1608	
R835	2007-000102	R-CHIP	100Kohm,5%,1/16W,DA,TP,1608	
R836	2007-000309	R-CHIP	10ohm,5%,1/16W,DA,TP,1608	
R837	2007-000084	R-CHIP	4.7Kohm,5%,1/16W,DA,TP,1608	
R838	2007-000309	R-CHIP	10ohm,5%,1/16W,DA,TP,1608	
R839	2007-000084	R-CHIP	4.7Kohm,5%,1/16W,DA,TP,1608	
R840	2007-000090	R-CHIP	10KOHM,5%,1/16W,DA,TP,1608	
R841	2007-000102	R-CHIP	100Kohm,5%,1/16W,DA,TP,1608	
R842	2007-000133	R-CHIP	330Kohm,5%,1/16W,DA,TP,1608	
R843	2007-000107	R-CHIP	470Kohm,5%,1/16W,DA,TP,1608	
RA100	2011-000002	R-NETWORK	22ohm,5%,63mW,L,CHIP,8P,TP	
RA101	2011-000002	R-NETWORK	22ohm,5%,63mW,L,CHIP,8P,TP	
RA102	2011-000002	R-NETWORK	22ohm,5%,63mW,L,CHIP,8P,TP	
RA103	2011-000002	R-NETWORK	22ohm,5%,63mW,L,CHIP,8P,TP	
RA104	2011-000002	R-NETWORK	22ohm,5%,63mW,L,CHIP,8P,TP	
RA105	2011-000002	R-NETWORK	22ohm,5%,63mW,L,CHIP,8P,TP	
RA200	2011-000002	R-NETWORK	22ohm,5%,63mW,L,CHIP,8P,TP	
RA201	2011-000002	R-NETWORK	22ohm,5%,63mW,L,CHIP,8P,TP	
RA202	2011-000002	R-NETWORK	22ohm,5%,63mW,L,CHIP,8P,TP	
RA203	2011-000002	R-NETWORK	22ohm,5%,63mW,L,CHIP,8P,TP	

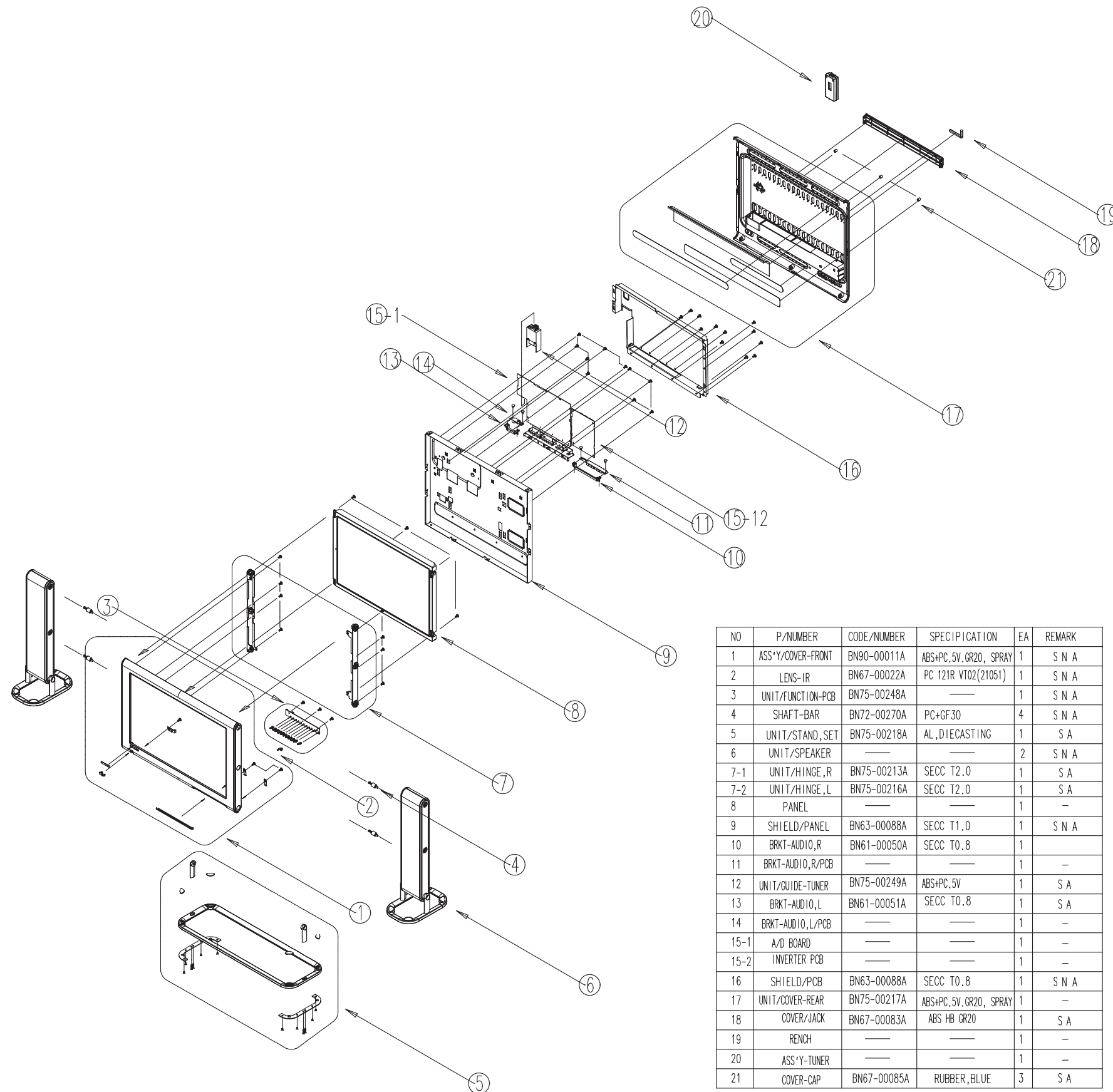
Loc. No.	Code No.	Description	Specification	Remarks
RA204	2011-000002	R-NETWORK	22ohm,5%,63mW,L,CHIP,8P,TP	
RA205	2011-000002	R-NETWORK	22ohm,5%,63mW,L,CHIP,8P,TP	
RA206	2011-000002	R-NETWORK	22ohm,5%,63mW,L,CHIP,8P,TP	
RA207	2011-000002	R-NETWORK	22ohm,5%,63mW,L,CHIP,8P,TP	
RA208	2011-000002	R-NETWORK	22ohm,5%,63mW,L,CHIP,8P,TP	
RA209	2011-000002	R-NETWORK	22ohm,5%,63mW,L,CHIP,8P,TP	
RA210	2011-000002	R-NETWORK	22ohm,5%,63mW,L,CHIP,8P,TP	
RA211	2011-000002	R-NETWORK	22ohm,5%,63mW,L,CHIP,8P,TP	
RA300	2011-000002	R-NETWORK	22ohm,5%,63mW,L,CHIP,8P,TP	
RA301	2011-000002	R-NETWORK	22ohm,5%,63mW,L,CHIP,8P,TP	
RA302	2011-000002	R-NETWORK	22ohm,5%,63mW,L,CHIP,8P,TP	
RA303	2011-000002	R-NETWORK	22ohm,5%,63mW,L,CHIP,8P,TP	
RA304	2011-000002	R-NETWORK	22ohm,5%,63mW,L,CHIP,8P,TP	
RA305	2011-000002	R-NETWORK	22ohm,5%,63mW,L,CHIP,8P,TP	
RA306	2011-000002	R-NETWORK	22ohm,5%,63mW,L,CHIP,8P,TP	
RA307	2011-000002	R-NETWORK	22ohm,5%,63mW,L,CHIP,8P,TP	
RA500	2011-000002	R-NETWORK	22ohm,5%,63mW,L,CHIP,8P,TP	
RA501	2011-000002	R-NETWORK	22ohm,5%,63mW,L,CHIP,8P,TP	
RA502	2011-000002	R-NETWORK	22ohm,5%,63mW,L,CHIP,8P,TP	
RA503	2011-000002	R-NETWORK	22ohm,5%,63mW,L,CHIP,8P,TP	
RA504	2011-000002	R-NETWORK	22ohm,5%,63mW,L,CHIP,8P,TP	
RA600	2011-000002	R-NETWORK	22ohm,5%,63mW,L,CHIP,8P,TP	
RA601	2011-000002	R-NETWORK	22ohm,5%,63mW,L,CHIP,8P,TP	
RA602	2011-000002	R-NETWORK	22ohm,5%,63mW,L,CHIP,8P,TP	
RA603	2011-000002	R-NETWORK	22ohm,5%,63mW,L,CHIP,8P,TP	
RA604	2011-000002	R-NETWORK	22ohm,5%,63mW,L,CHIP,8P,TP	
RA605	2011-000002	R-NETWORK	22ohm,5%,63mW,L,CHIP,8P,TP	
RA606	2011-000002	R-NETWORK	22ohm,5%,63mW,L,CHIP,8P,TP	
RA607	2011-000002	R-NETWORK	22ohm,5%,63mW,L,CHIP,8P,TP	
RA608	2011-000002	R-NETWORK	22ohm,5%,63mW,L,CHIP,8P,TP	
RA609	2011-000002	R-NETWORK	22ohm,5%,63mW,L,CHIP,8P,TP	
RA610	2011-000002	R-NETWORK	22ohm,5%,63mW,L,CHIP,8P,TP	
RA611	2011-000002	R-NETWORK	22ohm,5%,63mW,L,CHIP,8P,TP	
RA612	2011-000002	R-NETWORK	22ohm,5%,63mW,L,CHIP,8P,TP	
RA613	2011-000002	R-NETWORK	22ohm,5%,63mW,L,CHIP,8P,TP	
RA614	2011-000002	R-NETWORK	22ohm,5%,63mW,L,CHIP,8P,TP	
RA615	2011-000002	R-NETWORK	22ohm,5%,63mW,L,CHIP,8P,TP	
RA616	2011-000002	R-NETWORK	22ohm,5%,63mW,L,CHIP,8P,TP	
U382	2203-000280	C-CERAMIC,CHIP	0.01nF,0.5pF,50V,NP0,TP,1608	
U460	2203-000440	C-CERAMIC,CHIP	1nF,10%,50V,X7R,TP,1608,-	
X100	2801-003843	CRYSTAL-SMD	18.432MHz,30ppm,28-AAN,20pF,50ohm,TP	
X301	2801-004004	CRYSTAL-SMD	20.25MHz,20ppm,28-AAN,13pF,25ohm,TP	
X400	2801-003667	CRYSTAL-SMD	14.3182MHZ,50PPM,28-AAN,16,500HM,TP	
ZD101	0403-001052	DIODE-ZENER	RD8.2MB,8.2V,7.7-8.64V,200mW,S	
ZD102	0403-001052	DIODE-ZENER	RD8.2MB,8.2V,7.7-8.64V,200mW,S	
ZD103	0403-001052	DIODE-ZENER	RD8.2MB,8.2V,7.7-8.64V,200mW,S	
ZD104	0403-001052	DIODE-ZENER	RD8.2MB,8.2V,7.7-8.64V,200mW,S	
ZD105	0403-001052	DIODE-ZENER	RD8.2MB,8.2V,7.7-8.64V,200mW,S	
ZD106	0403-001052	DIODE-ZENER	RD8.2MB,8.2V,7.7-8.64V,200mW,S	
ZD107	0403-001052	DIODE-ZENER	RD8.2MB,8.2V,7.7-8.64V,200mW,S	
ZD108	0403-001052	DIODE-ZENER	RD8.2MB,8.2V,7.7-8.64V,200mW,S	
ZD109	0403-001340	DIODE-ZENER	UDZ15B,14.34-14.98V,200mW,SOD-323,TP	
ZD110	0403-001340	DIODE-ZENER	UDZ15B,14.34-14.98V,200mW,SOD-323,TP	
ZD111	0403-001052	DIODE-ZENER	RD8.2MB,8.2V,7.7-8.64V,200mW,S	
ZD112	0403-001052	DIODE-ZENER	RD8.2MB,8.2V,7.7-8.64V,200mW,S	

Loc. No.	Code No.	Description	Specification	Remarks
ZD113	0403-001052	DIODE-ZENER	RD8.2MB,8.2V,7.7-8.64V,200mW,S	
ZD114	0403-001052	DIODE-ZENER	RD8.2MB,8.2V,7.7-8.64V,200mW,S	
ZD115	0403-001052	DIODE-ZENER	RD8.2MB,8.2V,7.7-8.64V,200mW,S	
ZD200	0403-000579	DIODE-ZENER	BZX84C5V1,5.1V,5%,200mW,SOT-23	
ZD201	0403-000579	DIODE-ZENER	BZX84C5V1,5.1V,5%,200mW,SOT-23	
ZD203	0403-000579	DIODE-ZENER	BZX84C5V1,5.1V,5%,200mW,SOT-23	
ZD204	0403-000579	DIODE-ZENER	BZX84C5V1,5.1V,5%,200mW,SOT-23	
ZD301	0403-000579	DIODE-ZENER	BZX84C5V1,5.1V,5%,200mW,SOT-23	
ZD302	0403-000579	DIODE-ZENER	BZX84C5V1,5.1V,5%,200mW,SOT-23	
ZD303	0403-000579	DIODE-ZENER	BZX84C5V1,5.1V,5%,200mW,SOT-23	

7-2 Others

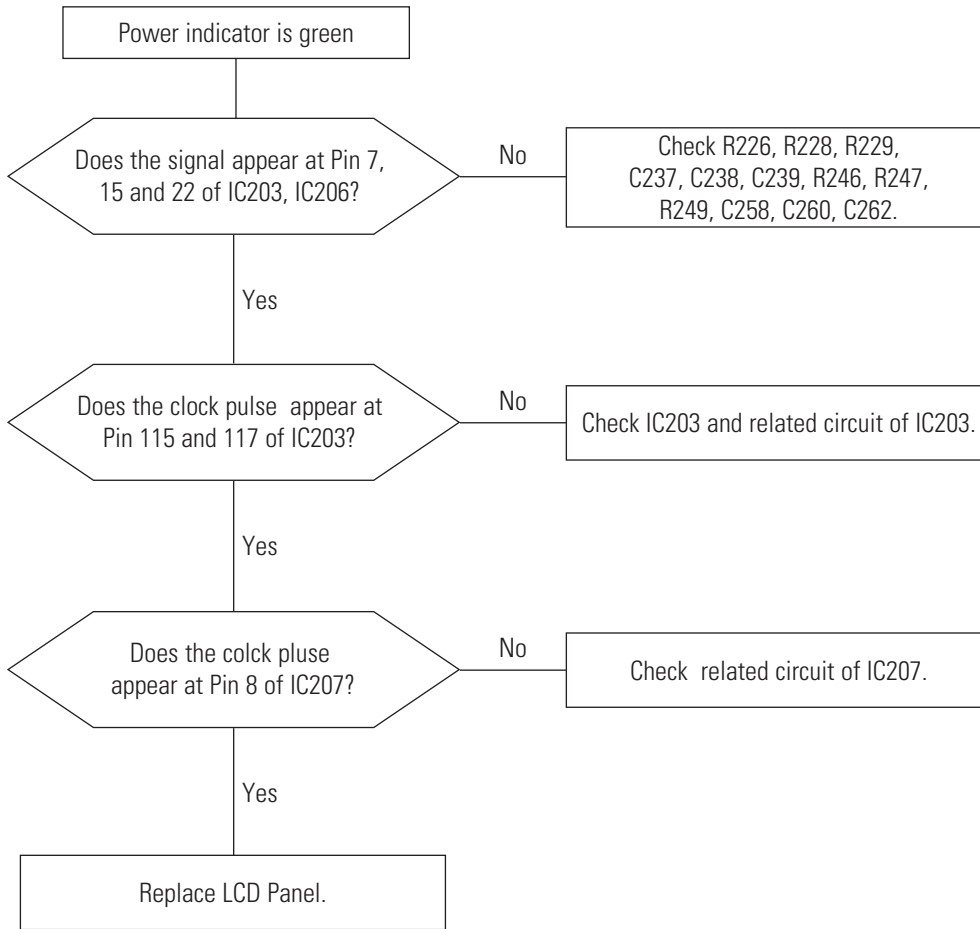
Part Name	Code No.	Description	Specification	Remarks
-	BN90-00228A	ASSY COVER/FRONT	RS24NS	SNA
C/F+C/R	6003-000122	SCREW-TAPTITE	BH,+,B,M4,L12,ZPC(YEL),SWRCH18	
C/F+HINGE	6003-000122	SCREW-TAPTITE	BH,+,B,M4,L12,ZPC(YEL),SWRCH18	
CIS	BN75-00213A	UNIT-HINGE,R	RU24NS,-,SECC T2.0,-,-,-,-	
CIS	BN75-00216A	UNIT-HINGE-L	RU24NS,-,SECC T2.0,-,-,-,-	
CIS	BN90-00011A	ASSY COVER FRONT	RU24NS/RU24AS,-,ABS+PC 5V,-,GR20,-,-,-	SNA
-	BN90-00229A	ASSY COVER/REAR	RS24NS	SNA
CIS	BN63-00083A	COVER-JACK	RU24NS,ABS HB,-,-,-,-,BL20,-	
CIS	BN63-00085A	COVER-CAP	RU24NS,RUBBER,-,-,-,-,BLUE,-	
CIS	BN90-00045A	ASSY REAR-COVER	RS24NS,-,ABS+PC,-,GR20,-,-,-	
CIS	BN63-00078A	COVER-REAR	RU24NS,ABS +PC,-,-,-,-,GR20,-	
CIS	BN63-00079A	COVER-MESH,REAR,A	RU24NS,SECC,TO.5,-,-,-,-,P3.0	
CIS	BN63-00080A	COVER-MESH,REAR,B	RU24NS,SECC,TO.5,-,-,-,-,P3.0	
CIS	BN63-00081A	COVER-MESH,DOME,A	RU24NS,SECC,TO.5,-,-,-,-,P3.0	
CIS	BN63-00082A	COVER-MESH,DOME,B	RU24NS,SECC,TO.5,-,-,-,-,P3.0	
-	BN90-00230A	ASSY STAND	RS24NS	SNA
STAND+B/HINGE	6011-001443	BOLT-SOCKET	M8,L24(19),ZPC(BLK),SWRCH18A	
CIS	BN75-00218A	UNIT-STAND-SET	RU24NS,-,AL DIECASTING,-,-,-,-	
-	BN91-00129A	ASSY LCD-ST	PC24PSS	SNA
CIS	BN07-00015A	DISPLAY LCD	LTM240W1-L01,LSA,8BIT,569.1*368.4*32,16.7M,-,0.27*0.27,-,-,AMLCD/2 LVDS,-	
CIS	BN81-00009A	A/S PART-LAMP(U)	LTM240W1,LJ91-00186A,-,24W1 LAMPASS'Y TOP,-	
CIS	BN81-00009B	A/S PART-LAMP(B)	LTM240W1,LJ91-00188A,-,24 LMAMP(B),-	
-	BN91-00243A	ASSY CHASSIS	RS21NS	

6-1 RS24N*

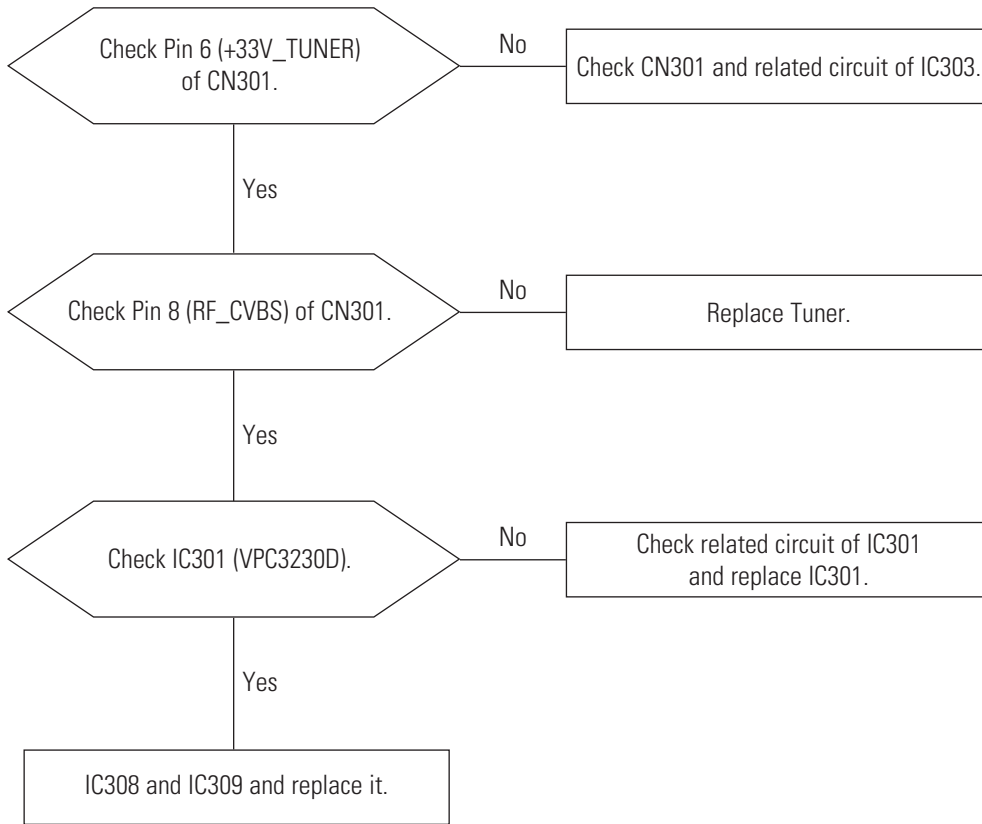


NO	P/NUMBER	CODE/NUMBER	SPECIFICATION	EA	REMARK
1	ASS'Y/COVER-FRONT	BN90-00011A	ABS+PC,5V,GR20, SPRAY	1	S N A
2	LENS-IR	BN67-00022A	PC 121R VT02(21051)	1	S N A
3	UNIT/FUNCTION-PCB	BN75-00248A	—	1	S N A
4	SHAFT-BAR	BN72-00270A	PC+GF30	4	S N A
5	UNIT/STAND, SET	BN75-00218A	AL,DIECASTING	1	S A
6	UNIT/SPEAKER	—	—	2	S N A
7-1	UNIT/HINGE,R	BN75-00213A	SECC T2.0	1	S A
7-2	UNIT/HINGE,L	BN75-00216A	SECC T2.0	1	S A
8	PANEL	—	—	1	—
9	SHIELD/PANEL	BN63-00088A	SECC T1.0	1	S N A
10	BRKT-AUDIO,R	BN61-00050A	SECC T0.8	1	—
11	BRKT-AUDIO,R/PCB	—	—	1	—
12	UNIT/GUIDE-TUNER	BN75-00249A	ABS+PC,5V	1	S A
13	BRKT-AUDIO,L	BN61-00051A	SECC T0.8	1	S A
14	BRKT-AUDIO,L/PCB	—	—	1	—
15-1	A/D BOARD	—	—	1	—
15-2	INVERTER PCB	—	—	1	—
16	SHIELD/PCB	BN63-00088A	SECC T0.8	1	S N A
17	UNIT/COVER-REAR	BN75-00217A	ABS+PC,5V,GR20, SPRAY	1	—
18	COVER/JACK	BN67-00083A	ABS HB GR20	1	S A
19	RENCH	—	—	1	—
20	ASS'Y-TUNER	—	—	1	—
21	COVER-CAP	BN67-00085A	RUBBER,BLUE	3	S A

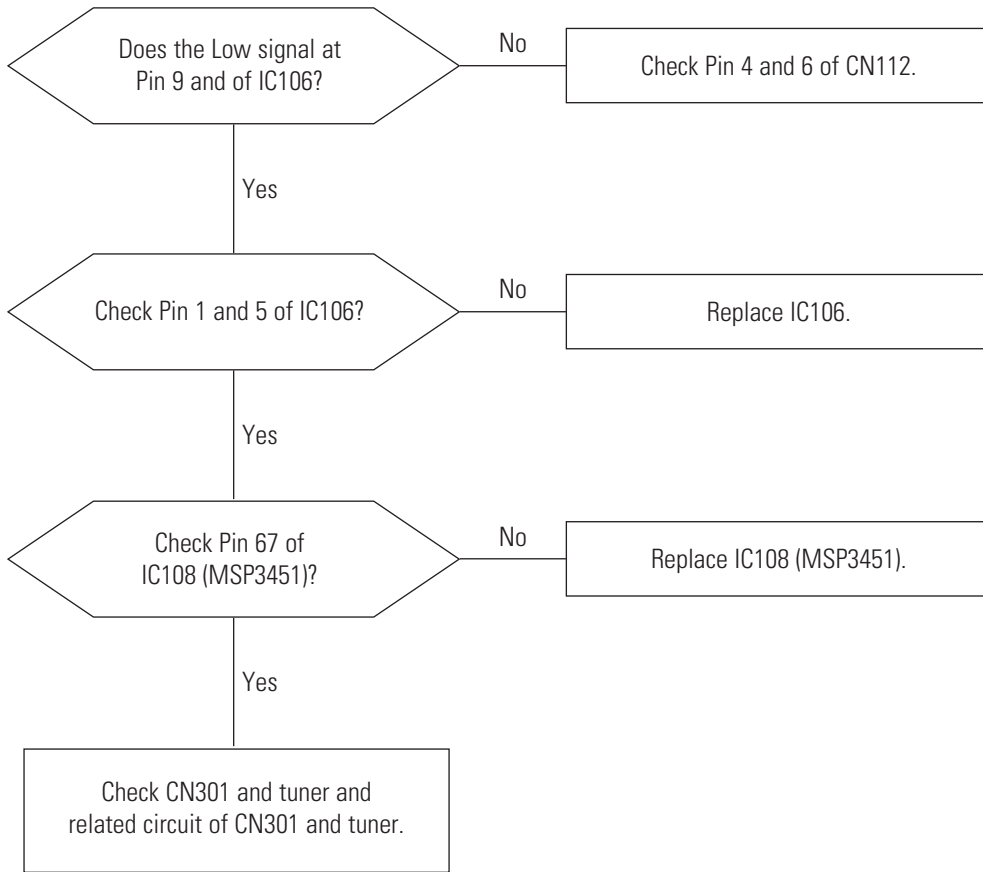
5-2 No Video (PC Analog Signal)



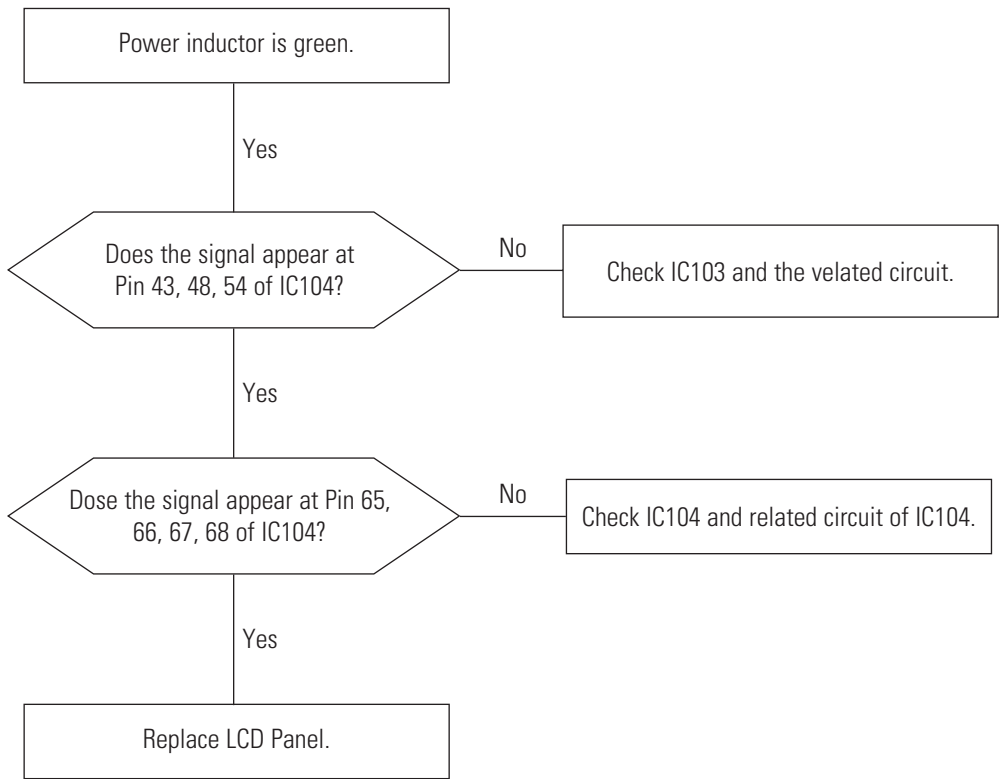
5-3 No Picture (CVBS, S-VHS)



5-4 No Sound



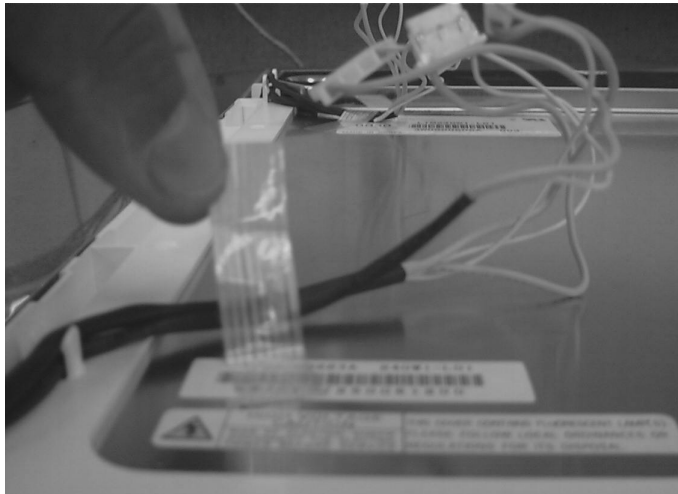
5-5 No Picture (DTV [NTSC only])



Memo

Memo

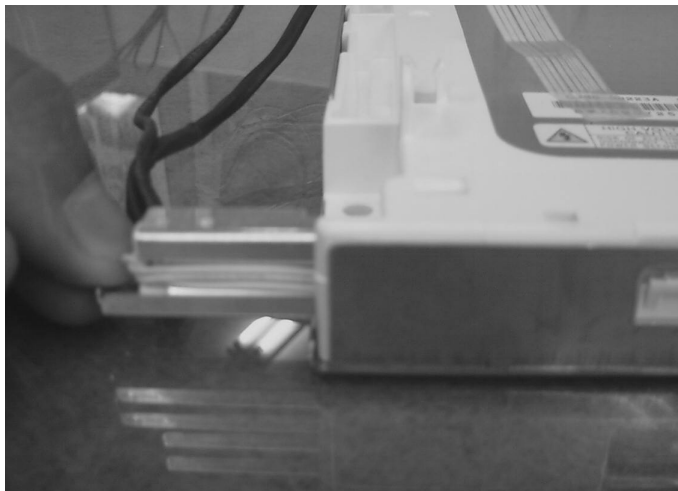
3-2 Replacement Order of Lamp Assemblies



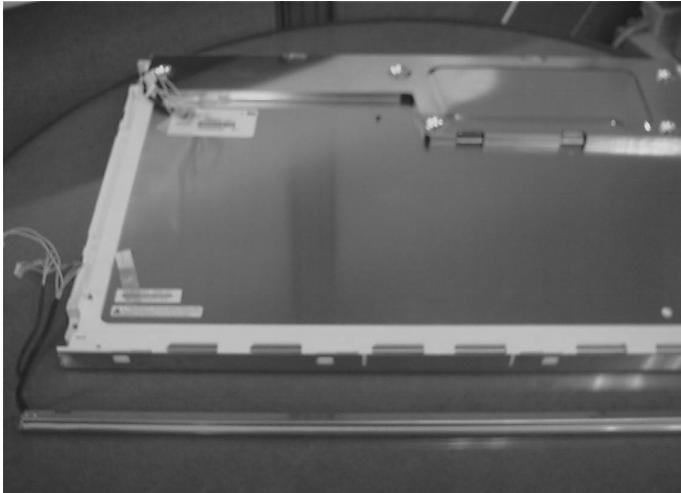
1. Remove the lamp wire holding tape from the metal chassis on the bottom side.
1-1. Taking out the lamp wire from the lamp wire holder.



2. Unscrewing the screw.
Unscrewing force : 0.8 ~ 1Kg - f.cm



3. Pulling out the lamp Assembly with stable Power and direction slowly.
Be careful, do not twist the lamp reflector when pulling the lamp.



4. Dis-Assembled the lamp Ass'y from LCD completely.

* Replacement of lamp unit should be done at the power off state and recommended clean bench condition.

3-3 Reassembly

Reassembly procedures are in the reverse order of Disassembly procedures.

Memo

2-2 Pin Assignments

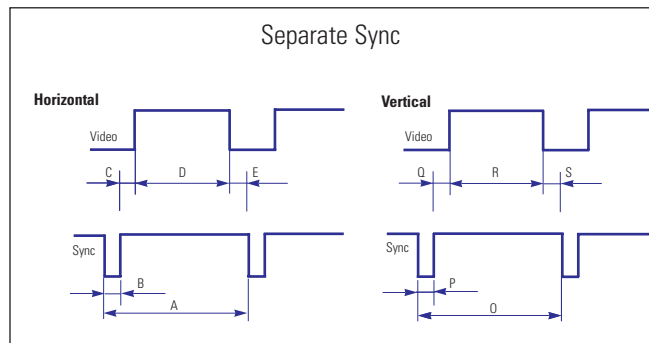
Pin No.	Sync Type	15-Pin Signal Cable Connector		
		Separate	Composite	Sync-on-green
1		Red	Red	Red
2		Green	Green	Green + H/V Sync.
3		Blue	Blue	Blue
4		GND	GND	GND
5		GND (DDC Return)	GND (DDC Return)	GND (DDC Return)
6		GND-Red	GND-Red	GND-Red
7		GND-Green	GND-Green	GND-Green
8		GND-Blue	GND-Blue	GND-Blue
9		No Connection	No Connection	Not Used
10		GND-Sync./Self Test	GND-Sync./Self Test	GND-Sync./Self Test
11		GND	GND	GND
12		DDC Data	DDC Data	DDC Data
13		Horizontal sync.	H/V-Sync.	Not Used
14		Vertical sync.	Not Used	Not Used
15		DDC Clock	DDC Clock	DDC Clock

2-3 Timing Chart

This section of the service manual describes the timing that the computer industry recognizes as standard for computer-generated video signals.

Table 2-1 Timing Chart

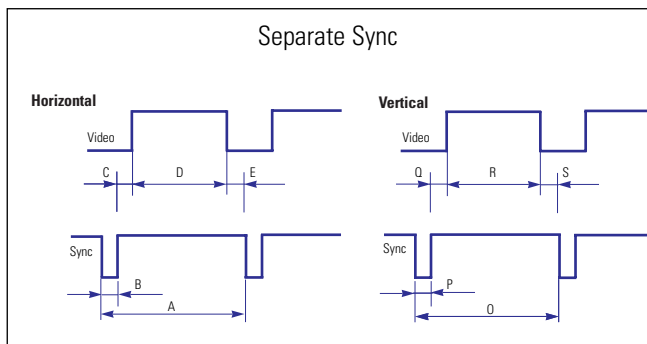
Mode Timing	DTV/ 59.94 Hz 1280 x 720	DTV/ 59.94 Hz 1920 x 1080	VGA3/60 Hz 640 x 480	VGA/72 Hz 640 x 480	VGA/75 Hz 640 x 480	VGA/85 Hz 640 x 480	MAC/60 Hz 640 x 480	MAC/66 Hz 640 x 480	SVGA/56 Hz 800 x 600	SVGA/60 Hz 800 x 600	SVGA/72 Hz 800 x 600
fH (kHz)	44.955	33.716	31.5	37.9	37.5	43.3	31.5	35.0	35.2	37.9	48.1
A μ sec	1650	2200	800	832	840	832	800	864	1024	1056	1040
B μ sec	40	44	96	40	64	56	96	64	72	128	120
C μ sec	70	44	40	120	120	80	48	96	128	88	64
D μ sec	1280	1920	640	640	640	640	640	640	800	800	800
E μ sec	260	192	8	16	16	56	16	64	24	40	56
fV (Hz)	59.94	59.94	60.0	72.8	75.0	85.0	60.0	66.7	56.3	60.3	72.2
O msec	750	1125	525	520	500	509	525	525	625	628	666
P msec	5	15	2	3	3	3	2	3	2	4	6
Q msec	20	2	25	20	16	25	33	39	22	23	23
R msec	720	1080	480	480	480	480	480	480	600	600	600
S msec	5	5	2	1	1	1	10	3	1	1	37
Clock Freq. (MHz)	74.176	74.176	25.175	31.500	31.500	36.000	25.175	30.240	36.000	40.000	50.000
Polarity H.Sync	-/+	-/+	Negative	Negative	Negative	Negative	Negative	Negative	-/+	Positive	Positive
V.Sync	-/+	-/+	Negative	Negative	Negative	Negative	Negative	Negative	-/+	Positive	Positive
Remark	Separate	Separate	Separate	Separate	Separate	Separate	Separate	Separate	Separate	Separate	Separate



A : Line time total	B : Horizontal sync width	O : Frame time total	P : Vertical sync width
C : Back porch	D : Active time	Q : Back porch	R : Active time
E : Front porch		S : Front porch	

Table 2-2 Timing Chart (continued)

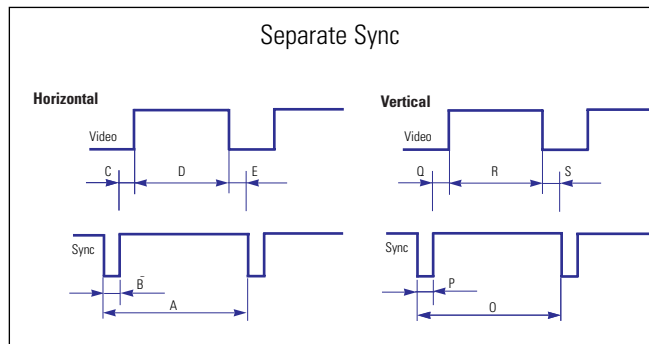
Mode Timing	SVGA/75 Hz	SVGA/85 Hz	MAC/74 Hz	XGA/60 Hz	XGA/70 Hz	XGA/75 Hz	XGA/85 Hz	MAC/60 Hz	MAC/74 Hz	VESA/75 Hz	MAC/75 Hz
	800 x 600	800 x 600	832 x 624	1024 x 768	1024 x 768	1024 x 768	1024 x 768	1024 x 768	1024 x 768	1152 x 864	1152 x 870
fH (kHz)	46.9	53.7	49.7	48.4	56.5	60.0	68.7	48.8	60.2	67.5	68.7
A μsec	1056	1048	1152	1344	1328	1312	1376	1312	1328	1600	1456
B μsec	80	64	64	136	136	96	96	96	96	128	128
C μsec	160	152	224	160	144	176	208	128	176	256	144
D μsec	800	800	832	1024	1024	1024	1024	1024	1024	1152	1152
E μsec	16	32	32	24	24	16	48	64	32	64	32
fV (Hz)	75.0	85.1	74.6	60.0	70.1	75.0	85.0	60.0	74.9	75.0	75.1
O msec	625	631	667	806	806	800	808	813	804	900	915
P msec	3	3	3	6	6	3	3	6	3	3	3
Q msec	21	27	39	29	29	28	36	33	30	32	39
R msec	600	600	624	768	768	768	768	768	768	864	870
S msec	1	1	1	3	3	1	1	6	3	1	3
Clock Freq. (MHz)	49.500	56.250	57.284	65.000	75.000	78.750	94.500	64.000	80.000	108.000	100.000
Polarity H.Sync	Positive	Positive	Negative	Negative	Negative	Positive	Positive	Negative	Negative	Positive	Negative
V.Sync	Positive	Positive	Negative	Negative	Negative	Positive	Positive	Negative	Negative	Positive	Negative
Remark	Separate	Separate	Separate	Separate	Separate	Separate	Separate	Separate	Separate	Separate	Separate



A : Line time total	B : Horizontal sync width	O : Frame time total	P : Vertical sync width
C : Back porch	D : Active time	Q : Back porch	R : Active time
E : Front porch		S : Front porch	

Table 2-3 Timing Chart (continued)

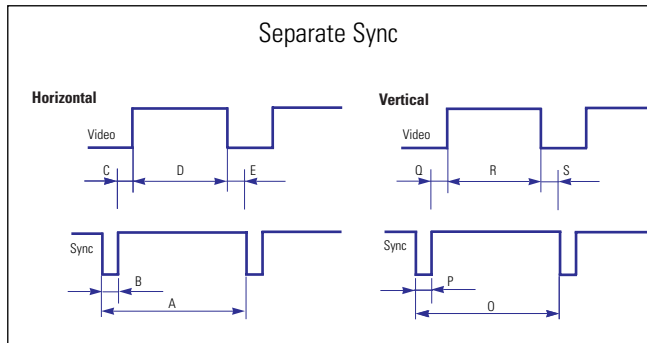
Mode Timing	SUN/66 Hz 1152 x 900	SUN/76 Hz 1152 x 900	SXGA/60 Hz 1280 x 1024	NCD/70 Hz 1280 x 1024	HP/72 Hz 1280 x 1024	SXGA/75 Hz 1280 x 1024	SUN/76 Hz 1280 x 1024
fH (kHz)	61.8	71.7	64.0	74.4	78.1	80.0	81.1
A μsec	1528	1472	1688	1680	1728	1688	1664
B μsec	128	96	112	160	192	144	64
C μsec	208	208	248	208	192	248	288
D μsec	1152	1152	1280	1280	1280	1280	1280
E μsec	40	16	48	32	64	16	32
fV (Hz)	66.0	76.0	60.0	70.0	72.0	75.0	76.1
O msec	937	943	1066	1063	1085	1066	1066
P msec	4	8	3	3	3	3	8
Q msec	31	33	38	36	55	38	32
R msec	900	900	1024	1024	1024	1024	1024
S msec	2	2	1	0	3	1	2
Clock Frequency (MHz)	94.500	105.561	108.000	125.000	135.000	135.000	135.000
Polarity H.Sync	-/+	Negative	Positive	Negative	Negative	Positive	Negative
V.Sync	-/+	Negative	Positive	Negative	Negative	Positive	Negative
Remark	Separate	Separate	Separate	Separate	Separate	Separate	Separate



A : Line time total	B : Horizontal sync width	O : Frame time total	P : Vertical sync width
C : Back porch	D : Active time	Q : Back porch	R : Active time
E : Front porch		S : Front porch	

Table 2-4 Timing Chart (continued)

Mode Timing	UXGA/60Hz 1600 x 1200	UXGA/65Hz 1600 x 1200	UXGA/70Hz 1600 x 1200	NCD/64Hz 1600 x 1200	SUN/66 Hz 1600 x 1200	WUXGA2/60 Hz 1920 x 1200
fH (kHz)	75	81.25	87.5	80.038	89.286	74.52
A μsec	2160	2160	2160	2124	2240	2592
B μsec	192	192	192	160	256	208
C μsec	304	304	304	308	368	336
D μsec	1600	1600	1600	1600	1600	1920
E μsec	64	64	64	56	16	128
fV (Hz)	60	65	70	64.443	66.931	60
O msec	1250	1250	1250	1242	1334	1242
P msec	3	3	3	3	10	3
Q msec	46	46	46	38	44	38
R msec	1200	1200	1200	1200	1200	1200
S msec	1	1	1	1	80	1
Clock Frequency (MHz)	162.000	175.500	189.000	170.000	200.000	193.156
Polarity H.Sync	-/+	-/+	-/+	-/+	-/+	Negative
V.Sync	-/+	-/+	-/+	-/+	-/+	Positive
Remark	Separate	Separate	Separate	Separate	Separate	Separate

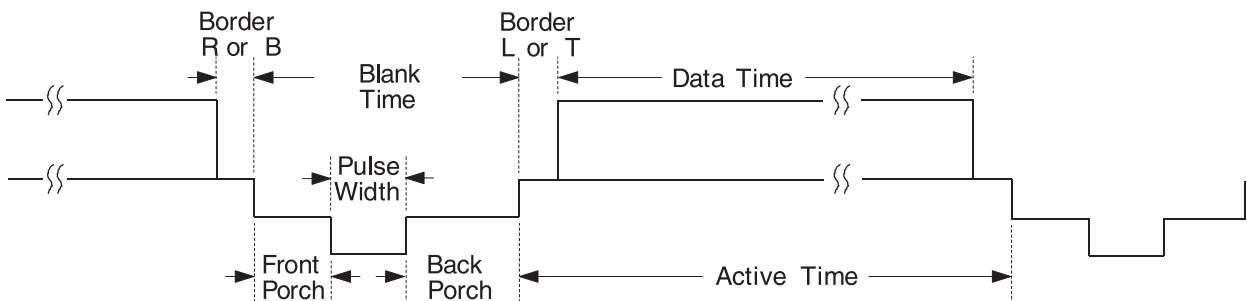


A : Line time total	B : Horizontal sync width	O : Frame time total	P : Vertical sync width
C : Back porch	D : Active time	Q : Back porch	R : Active time
E : Front porch		S : Front porch	

2-4 DTV Timing Chart

Table 2-5 DTV Timing chart

Timing No.	1	2	3
Originator	274M	296M	293M
Mode Name	1080i/60iHz	720p/60Hz	480p/60Hz
Resolution (HxV)	1920x1080	1280x720	720x483
HORIZONTAL			
Frequency	33.750kHz	45.000kHz	31.469kHz
Total time	29.630μs	22.222μs	31.778μs
Border (L / R)	0.000μs	0.000μs	0.000μs
Data time	25.859μs	17.239μs	26.667μs
Front porch	0.593μs	0.943μs	0.593μs
Sync. width	0.593μs	0.539μs	2.333μs
Back porch	2.586μs	3.502μs	2.185μs
Sync. polarity	-	-	-
VERTICAL			
Frequency	30Hz	60Hz	60Hz
Total time	33.333ms	16.667ms	16.683ms
Border (T / B)	0.000ms	0.000ms	0.000ms
Data time	-	16.000ms	15.349ms
Front porch	0.059ms	0.111ms	0.191ms
Sync. width	0.148ms	0.111ms	0.191ms
Back porch	0.444ms	0.444ms	0.953ms
Sync. polarity	-	-	-
Dot Clock	75MHz	75MHz	27MHz



Memo

1-2 Servicing Precautions

WARNING: An electrolytic capacitor installed with the wrong polarity might explode.

Caution: Before servicing units covered by this service manual, read and follow the Safety Precautions section of this manual.

Note: If unforeseen circumstances create conflict between the following servicing precautions and any of the safety precautions, always follow the safety precautions.

1-2-1 General Servicing Precautions

1. Always unplug the unit's AC power cord from the AC power source and disconnect the DC Power Jack before attempting to:
 - (a) remove or reinstall any component or assembly,
 - (b) disconnect PCB plugs or connectors, (c) connect a test component in parallel with an electrolytic capacitor.
2. Some components are raised above the printed circuit board for safety. An insulation tube or tape is sometimes used. The internal wiring is sometimes clamped to prevent contact with thermally hot components. Reinstall all such elements to their original position.
3. After servicing, always check that the screws, components and wiring have been correctly reinstalled. Make sure that the area around the serviced part has not been damaged.
4. Check the insulation between the blades of the AC plug and accessible conductive parts (examples: metal panels, input terminals and earphone jacks).
5. Insulation Checking Procedure: Disconnect the power cord from the AC source and turn the power switch ON. Connect an insulation resistance meter (500 V) to the blades of the AC plug.
The insulation resistance between each blade of the AC plug and accessible conductive parts (see above) should be greater than 1 megohm.
6. Always connect a test instrument's ground lead to the instrument chassis ground before connecting the positive lead; always remove the instrument's ground lead last.

1-3 Electrostatically Sensitive Devices (ESD) Precautions

Some semiconductor (solid state) devices can be easily damaged by static electricity. Such components are commonly called Electrostatically Sensitive Devices (ESD). Examples of typical ESD devices are integrated circuits and some field-effect transistors. The following techniques will reduce the incidence of component damage caused by static electricity.

1. Immediately before handling any semiconductor components or assemblies, drain the electrostatic charge from your body by touching a known earth ground. Alternatively, wear a discharging wrist-strap device. To avoid a shock hazard, be sure to remove the wrist strap before applying power to the monitor.
2. After removing an ESD-equipped assembly, place it on a conductive surface such as aluminum foil to prevent accumulation of an electrostatic charge.
3. Do not use freon-propelled chemicals. These can generate electrical charges sufficient to damage ESDs.
4. Use only a grounded-tip soldering iron to solder or desolder ESDs.
5. Use only an anti-static solder removal device. Some solder removal devices not classified as "anti-static" can generate electrical charges sufficient to damage ESDs.
6. Do not remove a replacement ESD from its protective package until you are ready to install it. Most replacement ESDs are packaged with leads that are electrically shorted together by conductive foam, aluminum foil or other conductive materials.
7. Immediately before removing the protective material from the leads of a replacement ESD, touch the protective material to the chassis or circuit assembly into which the device will be installed.
Caution: Be sure no power is applied to the chassis or circuit and observe all other safety precautions.
8. Minimize body motions when handling unpackaged replacement ESDs. Motions such as brushing clothes together, or lifting your foot from a carpeted floor can generate enough static electricity to damage an ESD.



Samsung Electronics Co.,Ltd.

416, Maetan-3Dong, Paldal-Gu, Suwon City, Kyungki-Do, Korea.

Printed in Korea

P/N : BN81-00022A-00

<http://www.samsungmonitor.com> (SyncMaster Worldwide)

<http://www.samsung-monitor.com> (SyncMaster USA)

<http://www.sec.co.kr/monitor> (Korea)